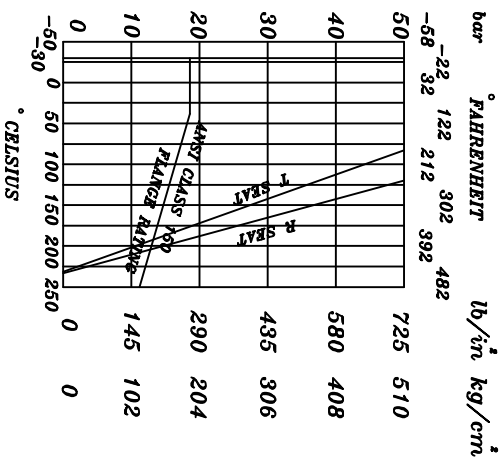
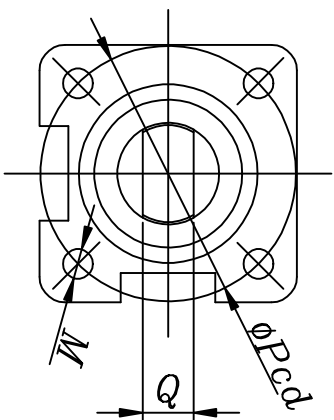
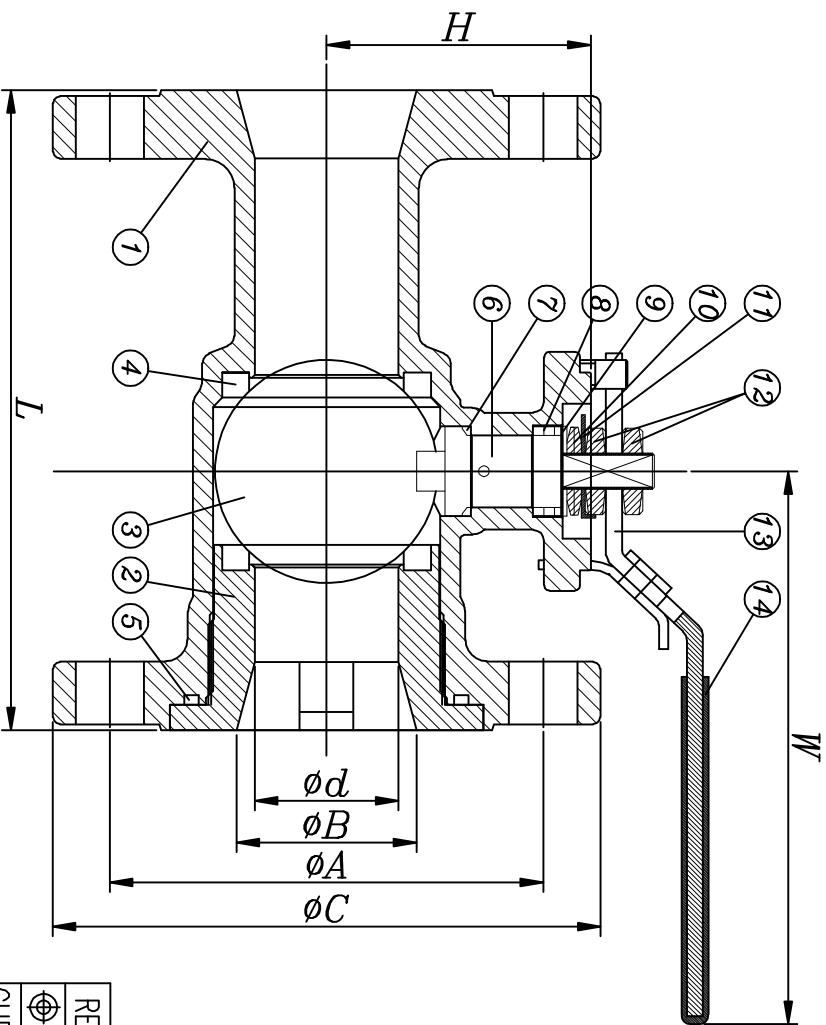


SIZE	ød	ISO			A	B	C	W	L	H	Torque N m
		øPcd	M	WQ							
1/2"	10	F04	42	M5	8.6	60.5	15	89	140	108	37.5
3/4"	15	F04	42	M5	8.6	70.0	20	98.6	140	117	39.4
1"	20	F05	50	M6	10	79.5	25.4	108	180	127	47.5
1-1/2"	25.4	F07	70	M8	12	98.5	40	127	200	165	63.7
2"	40	F07	70	M8	12	120.5	50.8	152.4	200	178	72.4
2-1/2"	50.8	F07	70	M8	12	139.5	65	178	220	190	93.8
3"	65	F10	102	M10	16	152.5	80	190.5	300	203	107
4"	80	F10	102	M10	16	190.5	101.6	229	380	230	122

ITEM	PARTS	Q.TY	MATERIALS	
			V2F	V2F-C
1	BODY	1	ASTM-A351-CF8M	ASTM-A216-WCB
2	CAP	1	ASTM-A351-CF8M	ASTM-A216-WCB
3	BALL	1	ASTM-A351-CF8M	ASTM-A351-CF8M
4	BALL SEAT	2	PTFE	PTFE
5	JOINT GASKET	1	PTFE	PTFE
6	STEM	1	AISI 316	AISI 316
7	THRUST WASHER	1	PTFE	PTFE
8	STEM PACKING	2	PTFE	PTFE
9	STEM RING	1	AISI 304	AISI 304
10	BELLEVILLE WASHER	2	AISI 304	AISI 304
11	LOCK WASHER	1	AISI 304	AISI 304
12	STEM NUT	2	AISI 304	AISI 304
13	HANDLE	1	AISI 304	AISI 304
14	PLASTIC COVER	1	PLASTIC	PLASTIC
15	NUT	4,6,8	AISI 304	AISI 304
16	STUD BOLT	4,6,8	AISI 304	AISI 304
17	STOPPER PIN	1	AISI 304	AISI 304



REV. 4			
CHECKED Morris	DATE 2004/07/15	TYPE V-1FM	
DESIGNER Kevin	SCALE Scaled to Fit	DWG_NO. VT_V1FM-150_001	
DRAWN Kevin	DESCRIBE 1-PIECE FLANGED END FULL PORT BALL VALVE		

Valve-tek MFG. CO., LTD.