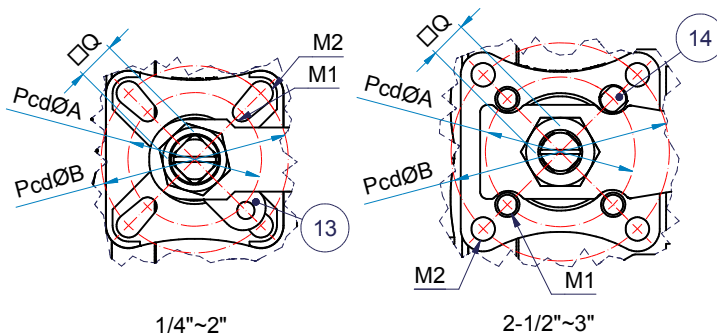
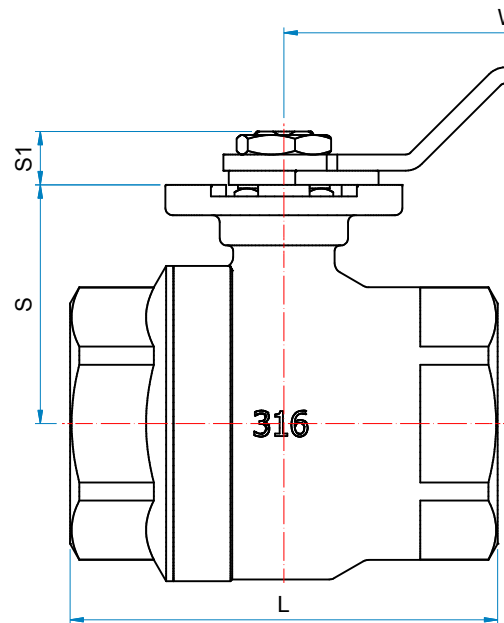
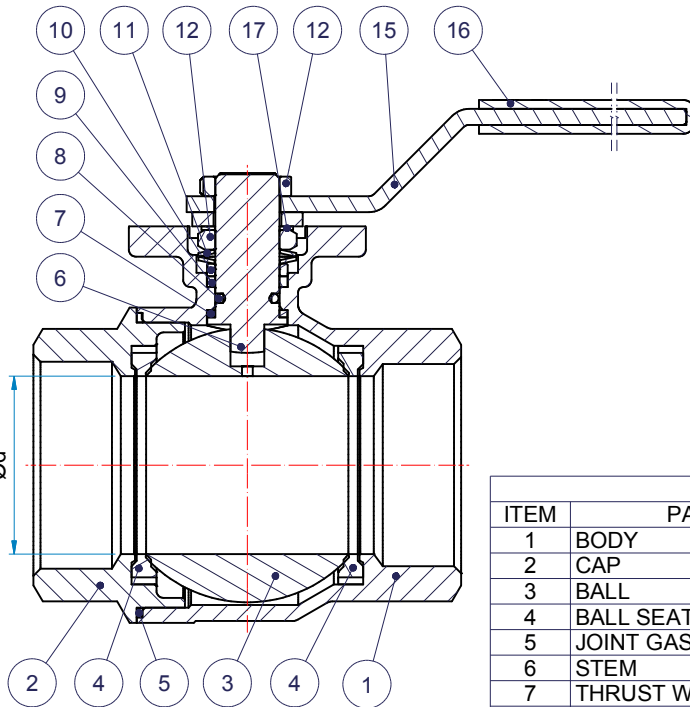
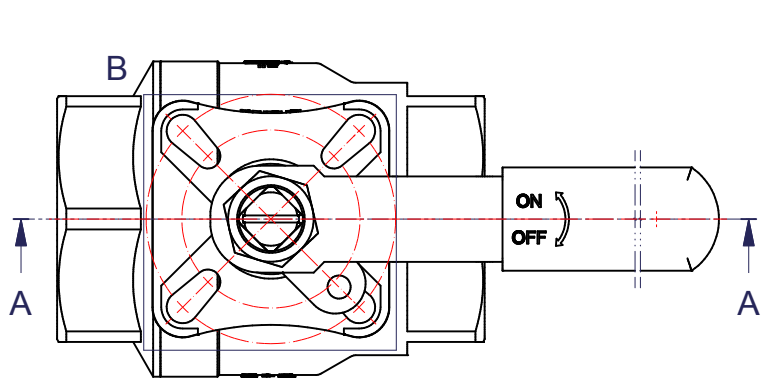
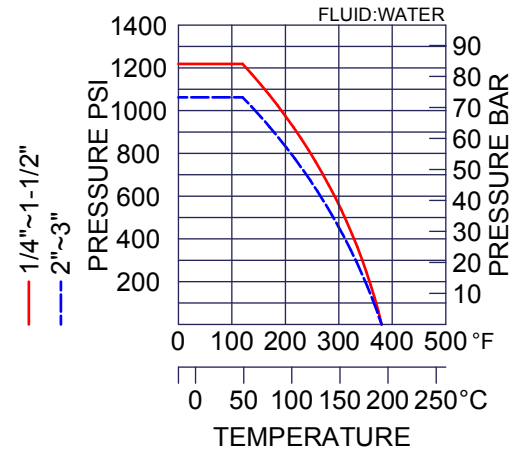


SIZE	Ød	PcdØA	PCDØB	M1	M2	□Q	L	S	S1	W	Cv FACTOR	TORQUE(Kgf-cm)
1/4"	11	36	-	Ø6	-	9	49.6	36	10	110	6.4	45
3/8"	12.7	36	-	Ø6	-	9	49.6	36	10	110	7.9	45
1/2"	15	42	-	Ø7	-	9	55	38	10	110	11.2	55
3/4"	20	42	50	R3	R3.5	11	75.5	41.7	12	136	21	90
1"	25	42	50	R3	R3.5	11	82.5	44.4	12	136	35	110
1-1/4"	32	50	70	R3.5	R4.5	14	90.8	54	16.5	158	57	155
1-1/2"	40	50	70	R3.5	R4.5	14	103	59.5	16.5	203	85	220
2"	50	50	70	R3.5	R4.5	14	120	67	16.5	203	148	330
2-1/2"	65	70	102	Ø9	Ø11	17	155	101.5	24.5	322.5	265	400
3"	80	70	102	Ø9	Ø11	17	182	112.5	24.5	322.5	415	660



PRESSURE TEMPERATURE RATING 1/4"~3"



SPARE PARTS FORM				
ITEM	PARTS	Q.TY	MATERIALS V2MH	MATERIALS V2MH
1	BODY	1	ASTM-A351-CF8M	ASTM-A216-WCB
2	CAP	1	ASTM-A351-CF8M	ASTM-A216-WCB
3	BALL	1	ASTM-A351-CF8M	ASTM-A351-CF8
4	BALL SEAT	2	PTFE	PTFE
5	JOINT GASKET	1	PTFE	PTFE
6	STEM	1	AISI 316	AISI 316
7	THRUST WASHER	1	PTFE	PTFE
8	O-RING	1	VITON	VITON
9	STEM PACKING	1-2	PTFE	PTFE
10	STEM RING	1	AISI 304	AISI 304
11	BELLEVILLE WASHER	2	AISI 304	AISI 304
12	STEM NUT	2	AISI 304	AISI 304
13	STOPPER	1	AISI 304	AISI 304
14	STOPPER PIN	1	AISI 304	AISI 304
15	HANDLE	1	AISI 304	AISI 304
16	PLASTIC COVER	1	PLASTIC	PLASTIC
17	LOCK WASHER	1	AISI 304	AISI 304

REV.	A	Valve-tek MFG. CO., LTD.			
CHECKED	TIM	DATE	2010/3/26	TYPE	V2MH
DESIGNER	KEENE	SCALE		DWG_NO.	VTCATALOGV2MH
DRAWN	KEENE	DESCRIBE	2-PIECE FULL PORT BALL VALVE		