

V-1 TYPE

SIZE: 1/4"~2"



STAINLESS STEEL

AISI-316 (EN10213-4 1.4408) (ASTM-A351-CF8M)

AISI-304 (EN10213-4 1.4308) (ASTM-A351-CF8)

FEATURES:

*Pipe thread in accordance with ANSI B2.1, BS 21 1973, DIN 259/2999, ISO 228, BSPP, BSPT

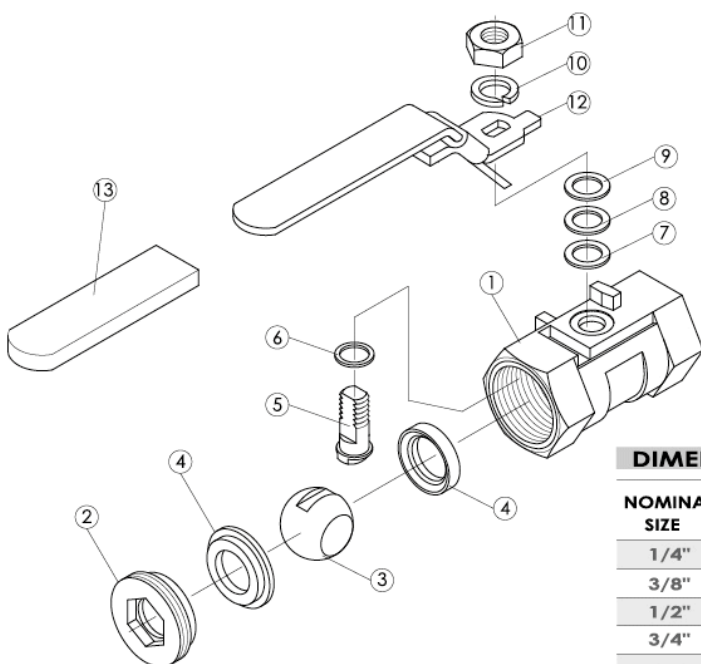
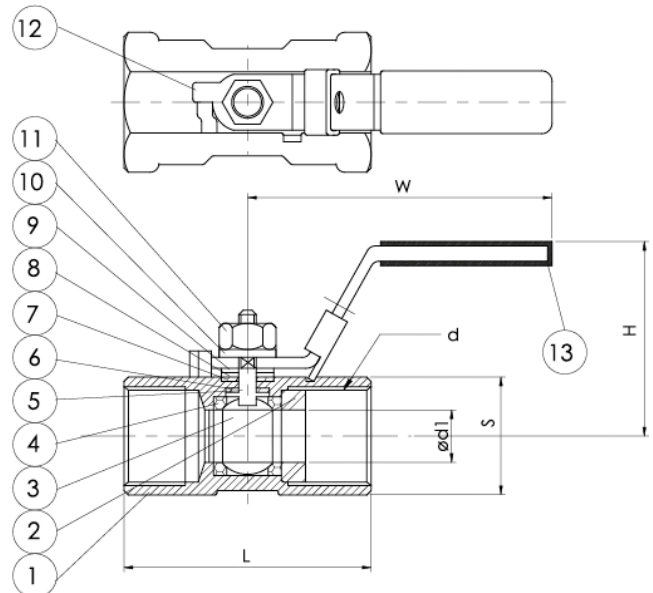
*Blow-out proof stem/Reduced port

*Investment casting body and inscrewed

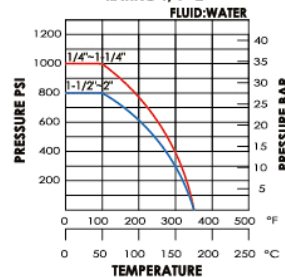
*800PSI/1000PSI (PN63)

OPTION: Locking device
Oval Handle
Wing Handle

ITEM	PARTS	MATERIALS
1	BODY	ASTM-A351-CF8M
2	INSERT	ASTM-A351-CF8M
3	BALL	ASTM-A351-CF8M
4	SEAT	PTFE
5	STEM	AISI 316
6	THRUST WASHER	PTFE
7	STEM PACKING	PTFE
8	STEM WASHER	AISI 304
9	STEM WASHER	AISI 304
10	SPRING WASHER	AISI 304
11	STEM NUT	AISI 304
12	HANDLE	AISI 304 or AISI 430
13	HANDLE SLEEVE	PVC



PRESSURE TEMPERATURE RATING 1/4"~2"



DIMENSIONS

UNIT:mm

NOMINAL SIZE	d	ød1	L	H	W	S	Cv FACTOR	TORQUE kgf-cm	KG
1/4"	RC 1/4	5	39.9	24.4	57.5	16.8	3.8	12	0.070
3/8"	RC 3/8	7	44.0	29.2	68.0	20.4	4.0	12	0.100
1/2"	RC 1/2	9.2	56.5	38.1	84.5	24.2	4.5	13	0.158
3/4"	RC 3/4	12.5	59.6	41.6	84.5	31.3	9.0	20	0.263
1"	RC 1	16	71.0	38.7	105	37.4	16.0	38	0.412
1-1/4"	RC 1-1/4	20	77.9	43.8	105	47.6	24.0	50	0.650
1-1/2"	RC 1-1/2	24.5	82.2	48.0	112	52.0	37.0	72	0.820
2"	2	32	99.2	54.3	112	64.5	68.0	90	1.332