

# SCREWED END / BUTT WELD END / SOCKET WELD END 3-PIECE FULL PORT BALL VALVE



## V-3M TYPE

SIZE: 1/4"~4"



### STAINLESS STEEL

**AISI-316** (EN10213-4 1.4408) (ASTM-A351-CF8M)

**AISI-304** (EN10213-4 1.4308) (ASTM-A351-CF8)

### CARBON STEEL

**S-20C** (EN10213-2 1.0619) (ASTM-A216-WCB)

#### FEATURES:

\*Pipe thread in accordance with ANSI B2.1, BS 21 1973,  
DIN 259/2999, ISO 228, BSPP, BSPT

\*Blow-out proof stem/Full port

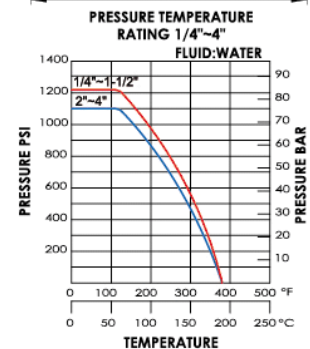
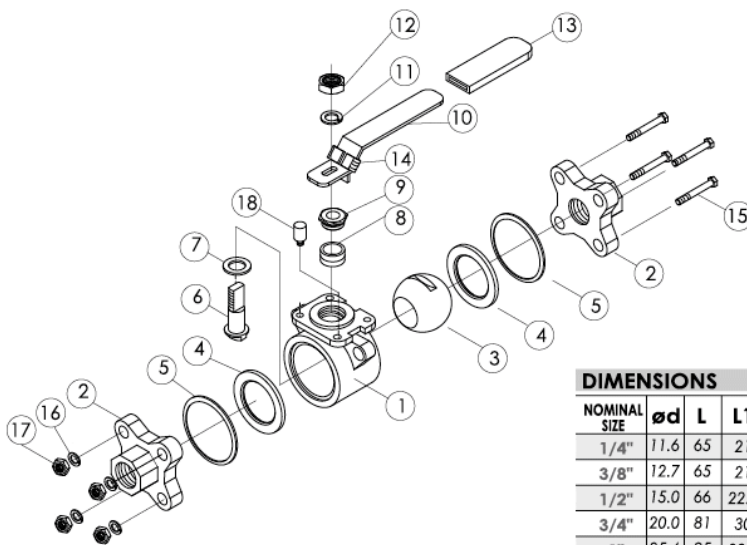
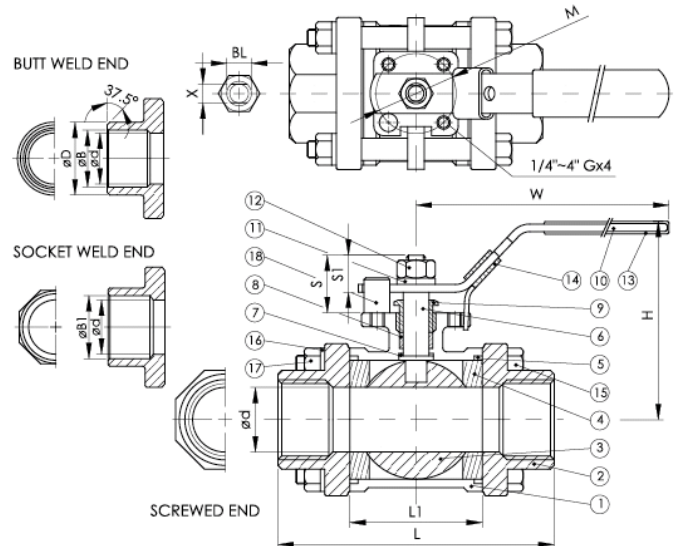
\*Investment casting body and cap

\*1000PSI (PN63)

\*ISO 5211 Mounting Pad

OPTION: Locking device

ITEM	PARTS	Q.TY	MATERIALS	
1	BODY	1	ASTM-A351-CF8M	ASTM-A216-WCB
2	CAP	2	ASTM-A351-CF8M	ASTM-A216-WCB
3	BALL	1	ASTM-A351-CF8M	ASTM-A351-CF8
4	BALL SEAT	2	PTFE	PTFE
5	JOINT GASKET	2	PTFE	PTFE
6	STEM	1	AISI 316	AISI 316
7	THRUST WASHER	1	PTFE	PTFE
8	STEM PACKING	2	PTFE	PTFE
9	GLAND NUT	1	AISI 304	AISI 304
10	HANDLE	1	AISI 304 or AISI 430	AISI 304 or AISI 430
11	SPRING WASHER	1	AISI 304	AISI 304
12	STEM NUT	1	AISI 304	AISI 304
13	HANDLE SLEEVE	1	PLASTIC	PLASTIC
14	LOCK DEVICE	1	AISI 304 or AISI 430	AISI 304 or AISI 430
15	BOLT	4(3",4"x6 PCS)	AISI 304	AISI 304
16	SPRING WASHER	4(3",4"x12 PCS)	AISI 304	AISI 304
17	HEX NUT	4(3",4"x12 PCS)	AISI 304	AISI 304
18	STOP PIN	1	AISI 304	AISI 304



#### DIMENSIONS

NOMINAL SIZE	ød	L	L1	H	W	S	S1	øB	øB1	øD	X	BL	ISO5211 M	G	Cv FACTOR	TORQUE kgf-cm	KG
1/4"	11.6	65	21	51	103	13.3	8.3	12.0	14.1	18.0	5.0	5/16"	36	M5	6.6	40	0.45
3/8"	12.7	65	21	51	103	13.3	8.3	14.0	17.6	18.0	5.0	5/16"	36	M5	7.9	40	0.43
1/2"	15.0	66	22.4	55	123	15.8	9.8	17.1	21.7	22.0	5.0	5/16"	36	M5	11.2	54	0.70
3/4"	20.0	81	30	60	123	18.3	13.5	22.5	27.1	27.5	6.5	3/8"	36	M5	21	74	0.90
1"	25.4	95	38.3	74	158	21.5	15.6	28.0	33.8	33.5	8.0	7/16"	42	M5	34	104	1.35
1-1/4"	32.0	109	49.2	80	158	23.0	15.6	35.5	42.6	44.0	8.0	7/16"	42	M5	57	135	2.20
1-1/2"	38.1	129	58.3	92	188	25.0	16.9	43.0	48.7	50.0	9.0	1/2"	50	M6	80	180	2.90
2"	50.8	150	72	101	188	23.1	16.9	53.0	61.1	61.5	9.0	1/2"	50	M6	148	250	4.60
2-1/2"	65.0	180	85	130	243	41.2	30.0	65.0	76.9	76.0	12	3/4"	70	M8	265	480	8.40
3"	80.0	206	102	142	243	39.7	30.0	80.0	89.5	96.0	12	3/4"	102	M10	415	750	15.50
4"	100	261	125	174	323	47.1	36.6	100.0	115.4	115	16	1"	102	M10	780	1100	27.50