



# Valve-tek MFG. CO., LTD.

## Electric Control Valve

### 電動控制閥

#### STAINLESS STEEL

**316** (EN10213 1.4408) (ASTM-A351-CF8M)

**304** (EN10213 1.4308) (ASTM-A351-CF8)

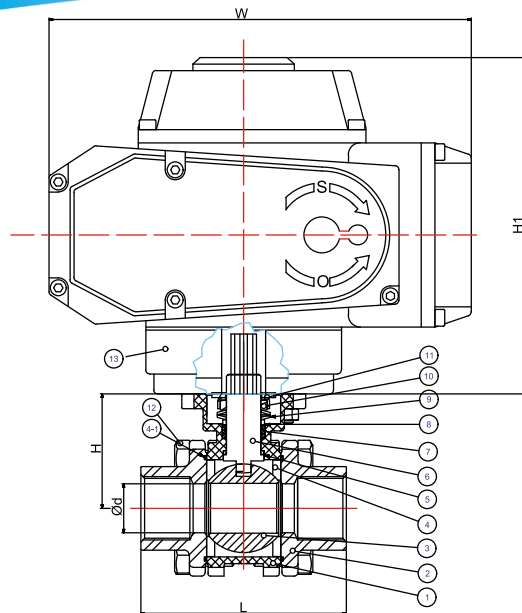
#### CARBON STEEL

(EN10213 1.0619) (ASTM-A216-WCB)

#### FEATURES

- 防爆軸心 Blow-out proof stem
- 1000PSI (69BAR) W.O.G
- 減流量 Reduce bore
- 電動執行器(選件: 開關類型、反饋類型、智能調節類型)

Electric Actuator (Option: Switch Type, Feedback Type, Intelligent Regulation Type)



#### Electric Actuator

電壓 Voltage: AC 110V 50/60 Hz (Option: AC 220V, AC 380V)

功率 Power: 23W

輸出扭矩 Output torque: 100 Nm

運行時間 Running time: 30sec

旋轉角度 Rotation angle: 0~90°

防水等級 IP67 Water proof IP67

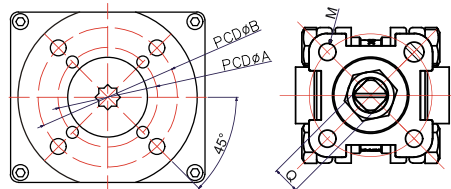
環境溫度 Ambient temperature: Minus 20°C to 60°C degree

操作方式: 全開和全關 (選件: 控制打開位置)

Operation: Full open and full close (Option: Control open position)

主體材質: 壓鑄鋁合金 ADC12

Body material: Aluminum alloy precision die casting ADC12



#### Valve Size

SIZE	Ød	L SD	L BW	H	H1	W	M	PCDØA	PCDØB	Q
1/4"	10	55	65	38.4	185.0	137.5	6	36	50	9
3/8"	12	60	70	44.8	185.0	137.5	6	36	50	9
1/2"	15	75	75	41.2	185.0	137.5	6	36	50	9
3/4"	20	80	90	44.8	185.0	137.5	6	36	50	9
1"	25	90	100	55.0	231.5	168.5	6	50	70	11
1-1/4"	32	110	110	61.5	231.5	168.5	6	50	70	11
1-1/2"	38	120	125	66.9	231.5	168.5	7	50	70	14
2"	50	140	150	78.2	231.5	168.5	7	50	70	14



Valve-tek MFG. CO., LTD.  
晉得鋼閥股份有限公司

TEL: 886-4-2277-5527

FAX: 886-4-2277-2006

E-MAIL: service@thevalvetek.com

