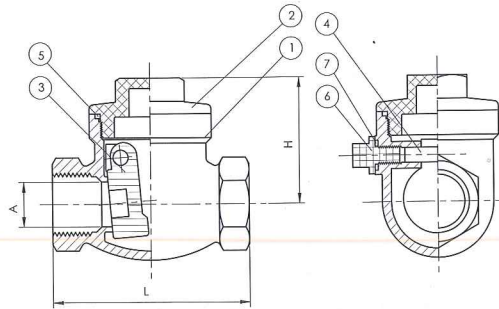


VT-C CLASS 200 SWING CHECK VALVE

SIZE: 1/2"~3"



ITEM	PARTS	MATERIAL	Q'TY
1	BODY	ASTM-A351-CF8M	1
2	COVER	ASTM-A351-CF8M	1
3	DISC	ASTM-A351-CF8M	1
4	HINGE PIN	SUS316	1
5	GASKET	TEFLON	1
6	PLUG	SUS316	1
7	PLUG GASKET	TEFLON	1

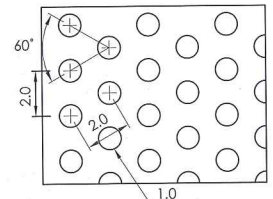
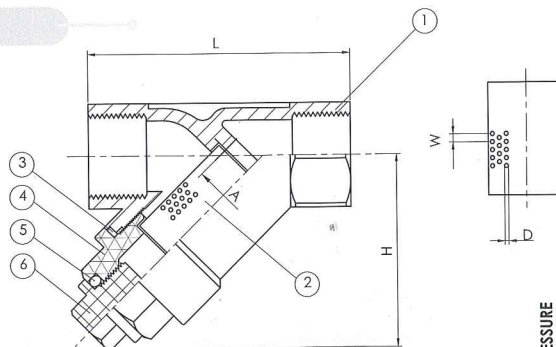
FEATURES:

- *Investment casting body.
- *Full port pressure temperature rating 200 PSI /W.O.G. 350° F S.P.
- *Threaded ends conform to ANSI B 2.1, BS 21, DIN 259/2999, ISO228
- *Class 200 screwed cap, swing type disc, integral seat.

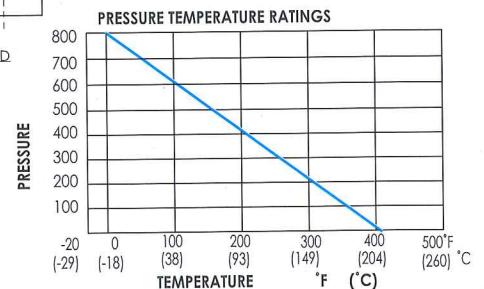
SIZE	A	H	L
1/4"	11	42	65
3/8"	15	42	65
1/2"	15	42	65
3/4"	20	51	80
1"	25	60	90
1-1/4"	32	67	105
1-1/2"	40	75	120
2"	50	81	140
2-1/2"	65	93	180
3"	80	104	200

VT-Y CLASS 800 Y-STRAINER

SIZE: 1/4"~3"



- FEATURES:
- *Investment casting body.
 - *Max. Pressure 800PSI.
 - *Maximum working temperature 230° C.
 - *Thread ends conform to ANSI B2.1, BS21, DIN259/2999, ISO 228



ITEM	PARTS	MATERIAL	Q'TY
1	BODY	ASTM-A351-CF8M	1
2	SCREEN	SUS316	1
3	GASKET	TEFLON	1
4	BONNET	ASTM-A351-CF8M	1
5	O-RING	VITON	1
6	BLOW OFF	ASTM-A351-CF8M	1

SIZE	A	H	L	W	D
1/4"	10	51	65	2	1
3/8"	12	51	65	2	1
1/2"	15	51	65	2	1
3/4"	20	60	80	2	1
1"	25	72	90	2	1
1-1/4"	32	77	105	2	1
1-1/2"	40	87	120	2	1
2"	50	103	140	2	1
2-1/2"	65	124	180	2	1
3"	80	143	200	2	1