



# Valve-tek MFG. CO., LTD.

## Pneumatic Control Valve 氣動控制閥

### STAINLESS STEEL

**316** (EN10213 1.4408) (ASTM-A351-CF8M)

**304** (EN10213 1.4308) (ASTM-A351-CF8)

### CARBON STEEL

(EN10213 1.0619) (ASTM-A216-WCB)

### FEATURES

- 防爆軸心 Blow-out proof stem
- 2250-3000PSI (W.O.G)
- 防火設計 Fire-safe design (API607 fire safe Approved)
- 氣動執行器, 電磁閥, 限位開關 (選件: 傳感器)  
Pneumatic Actuator, Solenoid Valve, Limit Switch  
(Option: Sensor)



### Pneumatic Actuator

雙作用氣缸 (選件: 單作用) Double Acting Actuator  
(Option: Single Acting)

行程調整 Stroke adjustment:  $\pm 5$

標稱位置: 常閉或常開 Nominal position: Normally close  
or normally open

輸出扭矩 Output torque: 112.6 Nm (Option: 7.6 to 8120 Nm)

氣壓供應 Air pressure supply: Max 10 Bar - min 2.5 Bar

主體材質: 鋁合金 6005-T5 系列 Body material:  
Aluminum 6005-T5

環境溫度 Ambient temperature: Minus 20°C to 80°C degree

防腐處理 Anti-corrode treatment Oxidation

防爆等級 Explosion proof - Ex II 2 Gb

### Limit Switch

電壓 Voltage: Max 250VAC or DC 16A 0.6A 125VDC, 0.3A 250VDC

接線端子 Terminal Block: 8

環境溫度 Ambient temperature: Minus 20°C to 60°C degree

位置指示器 Position Indicator: 0 ~ 90°

開關類型 Switch type: Mechanical x 2 SPDT

防水等級 IP66 Waterproof IP66

防爆等級 Explosion proof - Ex d II CT6 Gb (Option: No EX-proof)

連接端口 Connection port: 2 x 1/2 NPT

### Solenoid Valve

電壓 Voltage: 24VDC 3.5W

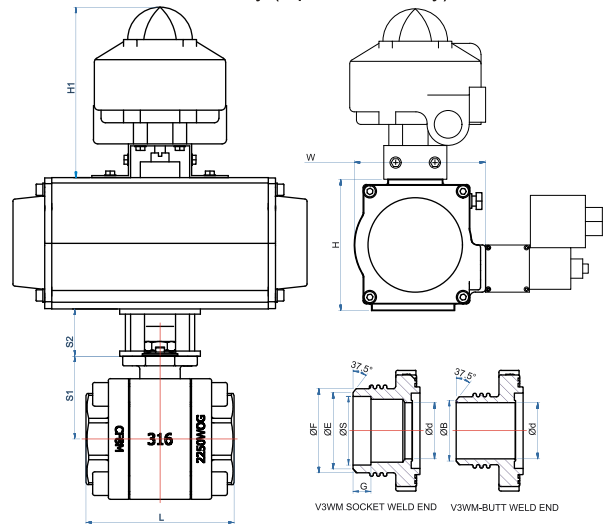
環境溫度 Ambient temperature: Minus 20°C to 60°C degree

連接端口 Connection port: G 1/2

防水等級 IP68 Waterproof IP68

防爆等級 Explosion proof - EX d II CT6 Gb (Option: No EX-proof)

功能 Function: 5/2 way (Option: 312 way)



Valve Size

SIZE	Ød	SD-L	BW-L	SW-L	H	H1	W	S1	S2	ØB	ØS	ØE	ØF	G
1/4"	11.6	69	122.2	122.2	60	151.8	122	39.1	47	13	14.1	23	26	10
3/8"	12.8	69	122.2	122.2	60	151.8	122	39.1	47	14.7	17.5	23	26	10
1/2"	15	74	124.2	124.2	72	151.8	147	39.1	47	17	21.7	28	31.5	10
3/4"	20	86	131.2	131.2	72	151.8	147	43.1	47	22	27.1	35	38.5	13
1"	25	94	133.2	133.2	100	151.8	184	52.2	44	28	33.8	39.7	43	13
1-1/4"	32	104	145.2	145.2	100	151.8	184	55.5	44	35	42.5	50	55	13
1-1/2"	40	117	157.2	157.2	117	151.8	262	67.2	44	43	48.6	56	62	13
2"	50	132	168.2	168.2	117	151.8	262	73.7	44	54	61.1	68	75	16

