

## V-1FW. PN16 PN40 TYPE

SIZE: 1/2"~6"



### DIN PN16, DIN PN40 STAINLESS STEEL

**AISI-316** (EN10213-4 1.4408) (ASTM-A351-CF8M)

**AISI-304** (EN10213-4 1.4308) (ASTM-A351-CF8)

### CARBON STEEL

**S-20C** (EN10213-2 1.0619) (ASTM-A216-WCB)

#### FEATURES:

\*Flange: DIN 2633 PN16

DIN 2635 PN40

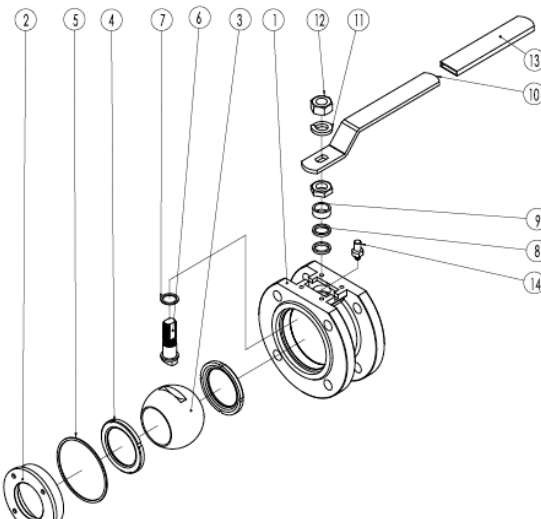
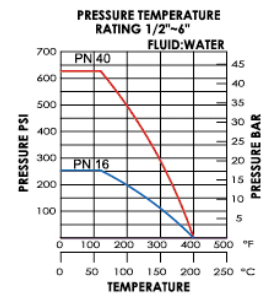
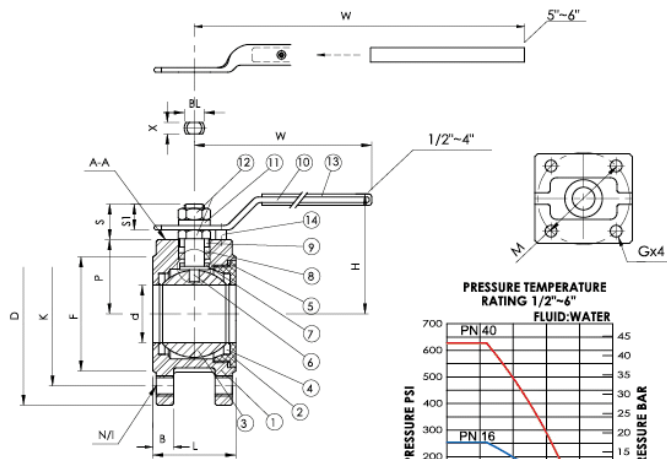
\*ISO 5211 Mounting Pad

\*Anti-static device, fire safe design

\*Blow-out proof stem/Full port

**OPTION: Locking device**

ITEM	PARTS	Q.TY	MATERIALS	
1	BODY	1	ASTM-A351-CF8M	ASTM-A216-WCB
2	INSERT	1	ASTM-A351-CF8M	ASTM-A216-WCB
3	BALL	1	ASTM-A351-CF8M	ASTM-A351-CF8
4	BALL SEAT	2	PTFE	PTFE
5	JOINT GASKET	1	PTFE	PTFE
6	STEM	1	AISI 316	AISI 316
7	THRUST WASHER	1	PTFE	PTFE
8	STEM PACKING	2-3	PTFE	PTFE
9	STEM RING	1	AISI 304	AISI 304
10	HANDLE	1	AISI 304 or AISI 430	AISI 304 or AISI 430
11	SPRING WASHER	1	AISI 304	AISI 304
12	STEM NUT	2	AISI 304	AISI 304
13	HANDLE SLEEVE	1	PLASTIC	PLASTIC
14	STOP PIN	1	AISI 304	AISI 304



DIMENSIONS PN16															UNIT:mm		
NOMINAL SIZE	ød	L	øD	øK	N/I	T	øF	H1	S	øM	X	BL	ISO 5211 G	H	W	TORQUE kgf-cm	KG
15	15	41	96	65	4-M12	14	45	51.3	16.8	36	6.5	M10	F03	65	123	58	1.47
20	20	45	105	75	4-M12	16	58	53.1	17.2	36	6.5	M10	F03	69	123	80	1.70
25	25	54	115	85	4-M12	16	68	69.6	25.1	42	8.7	M14	F04	80	158	108	2.98
32	32	58.4	135	100	4-M16	16	78	75	23.9	42	8.7	M14	F04	87	158	150	3.60
40	38	62	145	110	4-M16	16	88	84.4	29.2	50	10	M16	F05	96	198	200	4.00
50	50	72	155	125	4-M16	18	102	91.8	28.8	50	10	M16	F05	104	198	300	5.35
65	65	94	185	145	4-M16	18	122	109	35.9	70	12	M20	F07	122	248	515	9.20
80	76	118	200	160	8-M16	20	138	131.3	36.8	70	12	M20	F07	153	283	810	13.50
100	96	140	220	180	8-M16	20	158	142.2	37.2	70	12	M20	F07	164	333	1130	19.34
125	118	163	250	210	8-M16	22	188	174.9	57.7	102	17	M27	F10	172	542	1600	30.00
150	125	183	285	240	8-M20	22	215	181	51.4	102	17	M27	F10	185	542	2100	40.50

DIMENSIONS PN40															UNIT:mm		
NOMINAL SIZE	ød	L	øD	øK	N/I	T	D1	H1	S	øM	X	BL	ISO 5211 G	H	W	TORQUE kgf-cm	KG
15	16	41	95	65	4-M12	16	45	51	15.6	36	6.5	M10	F03	64	123	50	1.48
20	20	45	105	75	4-M12	18	58	56	16.1	36	6.5	M10	F03	68	123	55	1.99
25	25	54	115	85	4-M12	18	68	68	22.9	42	8.7	M14	F04	81	158	60	2.71
32	32	58	140	100	4-M16	18	78	75	22.9	42	8.7	M14	F04	88	158	130	3.90
40	40	63	150	110	4-M16	18	88	84	28.9	50	10	M16	F05	96	198	165	4.65
50	50	76	165	125	4-M16	20	102	92	28.7	50	10	M16	F05	104	198	400	6.09
65	65	99	185	145	8-M16	22	122	110	36.7	70	12	M20	F07	122	248	800	9.91
80	80	118	200	160	8-M16	24	138	134	39.2	70	12	M20	F07	154	283	860	13.95
100	96	139	235	190	8-M20	24	162	142	36.8	70	12	M20	F07	164	333	1130	21.55