

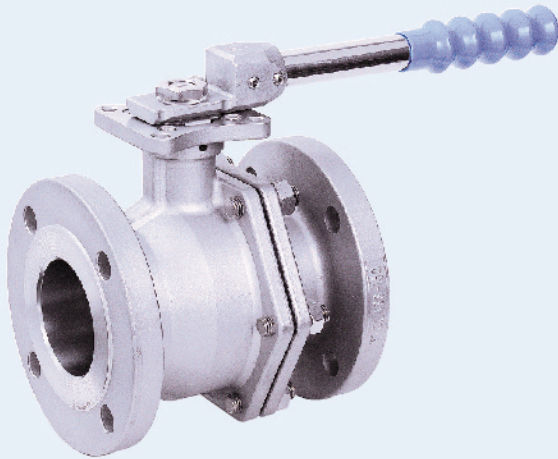
FLANGE END 2-PIECE FULL PORT BALL VALVE



V2FH. 150L 300L TYPE

SIZE: 1/2"~4"

DIRECT MOUNTING PAD



ANSI CLASS 150, ANSI CLASS 300 STAINLESS STEEL

AISI-316 (EN10213-4 1.4408) (ASTM-A351-CF8M)

AISI-304 (EN10213-4 1.4308) (ASTM-A351-CF8)

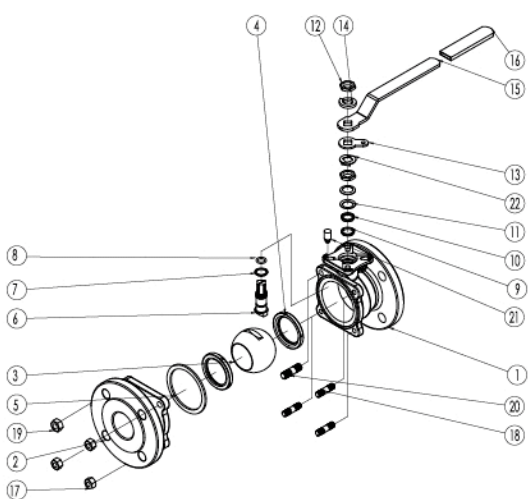
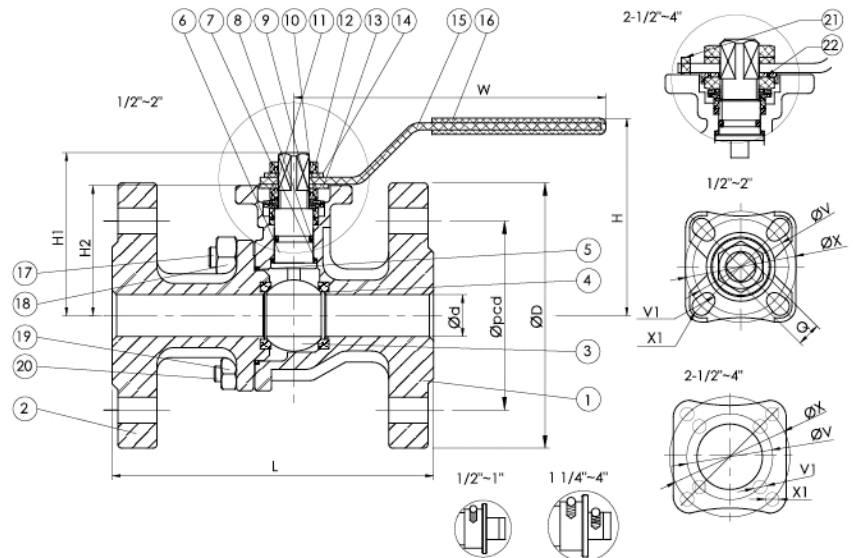
CARBON STEEL

S-20C (EN10213-2 1.0619) (ASTM-A216-WCB)

FEATURES:

- *Flange: ANSI B16.5 class 150
- *Face to face: ANSI B16.10
- *ISO 5211 Direct Mounting Pad
- *Anti-static device, fire safe design
- *Blow-out proof stem/Full port
- *Lever operated

ITEM	PARTS	Q'TY	MATERIALS	
1	BODY	1	ASTM-A351-CF8M	ASTM-A216-WCB
2	CAP	1	ASTM-A351-CF8M	ASTM-A216-WCB
3	BALL	1	ASTM-A351-CF8M	ASTM-A351-CF8
4	BALL SEAT	2	PTFE	PTFE
5	JOINT GASKET	1	PTFE	PTFE
6	STEM	1	AISI 316	AISI 316
7	THRUST WASHER	1	PTFE	PTFE
8	O-RING	1~2	VITON	VITON
9	STEM PACKING	1~2	PTFE	PTFE
10	STEM RING	1	AISI 304	AISI 304
11	BELLEVILLE WASHER	2	AISI 304	AISI 304
12	STEM NUT	2	AISI 304	AISI 304
13	STOPPER	1	AISI 304	AISI 304
14	SPRING WASHER	1	AISI 304	AISI 304
15	HANDLE	1	AISI 304 or AISI 430	AISI 304 or AISI 430
16	HANDLE SLEEVE	1	PLASTIC	PLASTIC
17	NUT*1	1	AISI 304	AISI 304
18	STUD BOLT*1	1	AISI 304	AISI 304
19	NUT*2	3~7	AISI 304	AISI 304
20	STUD BOLT*2	3~7	AISI 304	AISI 304
21	STOPPER PIN	1	AISI 304	AISI 304
22	LOCK WASHER	1	AISI 304	AISI 304



DIMENSIONS 150L UNIT : mm

NOMINAL SIZE	ød	øD	øPcd	L	H2	H1	W	Q	øV	V1	øX	X1	H	TORQUE kgf-cm	KG
1/2"	15	89.0	60.5	108	46.5	56.0	110.0	9.0	42	R3.0	-	-	89.0	50	1.56
3/4"	20	98.0	70.0	117	51.5	61.0	110.0	9.0	42	R3.0	50	R3.5	94.0	80	2.22
1"	25	108.0	79.5	127	57.5	67.0	136.0	11	42	R3.0	50	R3.5	95.0	105	3.14
1-1/2"	40	127.0	98.5	165	76.5	92.0	203.0	14	50	R3.5	70	R4.5	110.7	205	6.21
2"	50	152.4	120.5	178	83.5	99.0	203.0	14	50	R3.5	70	R4.5	117.7	310	9.29
2-1/2"	65	178.0	139.5	190	118.5	137.0	277.5	17	70	R4.5	102	R5.5	155.5	370	15.87
3"	80	190.5	152.5	203	129.5	148.0	277.5	17	70	R4.5	102	R5.5	166.5	620	20.24
4"	100	229.0	190.5	230	145.0	163.5	377.5	17	70	R4.5	102	R5.5	182.0	970	29.97

DIMENSIONS 300L UNIT : mm

NOMINAL SIZE	ød	øD	øPcd	L	øM	H2	H1	W	Q	øV	V1	øX	X1	H	TORQUE kgf-cm	KG
1/2"	15	95	66.5	140	16x4	46.5	56.0	110.0	9.0	42	R3.5	-	-	89.0	50	2.13
3/4"	20	117	82.5	152	19x4	51.5	61.0	110.0	9.0	42	R3.0	50	R3.5	94.0	80	3.41
1"	25	124	89.0	165	19x4	57.5	67.0	136.0	11	42	R3.0	50	R3.5	95.0	105	4.40
1-1/2"	40	156	114.5	190	22x4	76.5	92.0	203.0	14	50	R3.5	70	R4.5	110.7	205	8.95
2"	50	165	127.0	216	19x8	83.5	99.0	203.0	14	50	R3.5	70	R4.5	117.7	310	10.71
2-1/2"	65	190	149.0	241	22x8	118.5	137.0	277.5	17	70	R4.5	102	R5.5	155.5	370	19.48
3"	80	210	168.0	283	22x8	129.5	148.0	277.5	17	70	R4.5	102	R5.5	166.5	620	25.78
4"	100	254	200.0	305	22x8	145	163.5	377.5	17	70	R4.5	102	R5.5	182.0	970	41.14

