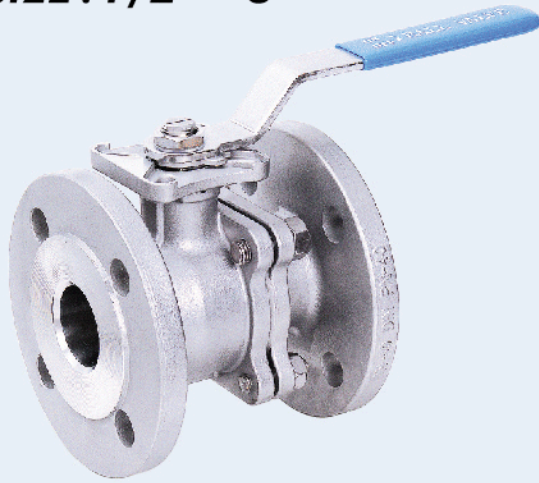


V-2FH. PN16 PN40 TYPE

SIZE: 1/2"~6"



DIRECT MOUNTING PAD

**DIN PN16, DIN PN40
STAINLESS STEEL**

AISI-316 (EN10213-4 1.4408) (ASTM-A351-CF8M)

AISI-304 (EN10213-4 1.4308) (ASTM-A351-CF8)

CARBON STEEL

S-20C (EN10213-2 1.0619) (ASTM-A216-WCB)

FEATURES:

*Flange: DIN 2633 PN16

DIN 2635 PN40

*Face to face: DIN 3201 F4, DIN 3201 F5(5"~6")

*ISO 5211 Direct Mounting Pad

*Anti-static device

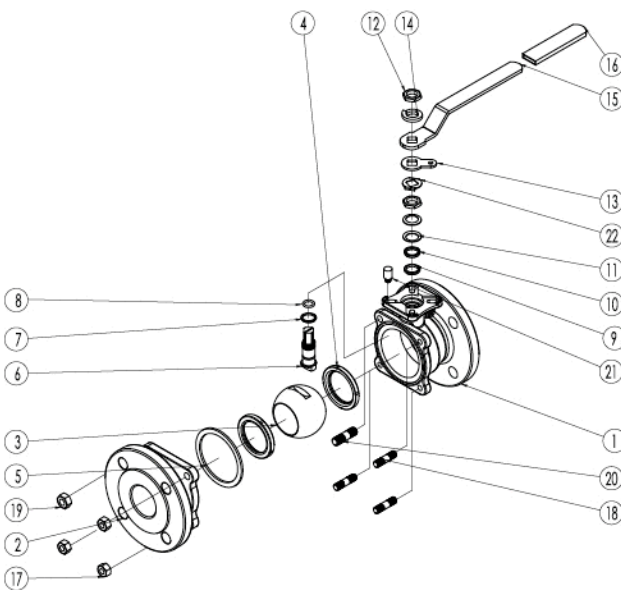
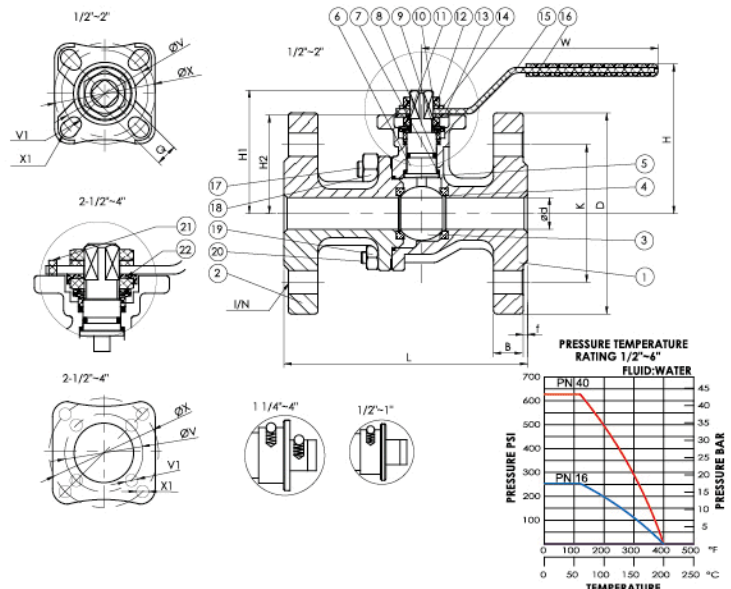
*Blow-out proof stem/Full port

*Lever operated

*TA-Luft certificate

OPTION: API 607 fire safe Approved

ITEM	PARTS	Q.TY	MATERIALS	
1	BODY	1	ASTM-A351-CF8M	ASTM-A216-WCB
2	CAP	1	ASTM-A351-CF8M	ASTM-A216-WCB
3	BALL	1	ASTM-A351-CF8M	ASTM-A351-CF8
4	BALL SEAT	2	PTFE	PTFE
5	JOINT GASKET	1	PTFE	PTFE
6	STEM	1	AISI 316	AISI 316
7	THRUST WASHER	1	PTFE	PTFE
8	O-RING	1-2	VITON	VITON
9	STEM PACKING	1-2	PTFE	PTFE
10	STEM RING	1	AISI 304	AISI 304
11	BELLEVILLE WASHER	2	AISI 304	AISI 304
12	STEM NUT	2	AISI 304	AISI 304
13	STOPPER	1	AISI 304	AISI 304
14	SPRING WASHER	1	AISI 304	AISI 304
15	HANDLE	1	AISI 304 or AISI 430	AISI 304 or AISI 430
16	HANDLE SLEEVE	1	PLASTIC	PLASTIC
17	NUT-1	1	AISI 304	AISI 304
18	STUD BOLT-1	1	AISI 304	AISI 304
19	NUT-2	3,5,7	AISI 304	AISI 304
20	STUD BOLT-2	3,5,7	AISI 304	AISI 304
21	STOPPER PIN	1	AISI 304	AISI 304
22	LOCK WASHER	1	AISI 304	AISI 304



DIMENSIONS PN16

UNIT : mm

NOMINAL SIZE	ød	øK	øD	F	B	I-N	L	H2	H1	W	Q	øV	V1	øX	X1	H	KG	TORQUE kgf-cm
1/2"	15	65	95	2	14	4-14	115	46.5	56.0	110	9	42	R3.0	-	89.0	2.17	50	
3/4"	20	75	105	2	16	4-14	120	51.5	61.0	110	9	42	R3.0	50	R3.5	94.0	3.03	80
1"	25	85	115	2	16	4-14	125	57.5	67.0	136.0	11	42	R3.0	50	R3.5	95.0	3.79	105
1-1/4"	32	100	140	2	16	4-18	127	71.5	87.0	175.0	14	50	R3.5	70	R4.5	105.7	5.72	150
1-1/2"	40	110	150	3	15	4-18	140	76.5	92.0	203.0	14	50	R3.5	70	R4.5	110.7	6.94	205
2"	50	125	165	3	17	4-18	150	83.5	99.0	203.0	14	50	R3.5	70	R4.5	117.7	9.38	310
2-1/2"	65	145	185	3	15	4-18	170	118.5	137.0	227.5	17	70	R4.5	102	R5.5	155.5	14.84	370
3"	80	160	200	3	17	8-18	180	129.5	148.0	227.5	17	70	R4.5	102	R5.5	166.5	18.99	620
4"	100	180	220	3	17	8-18	190	145.0	163.5	377.5	17	70	R4.5	102	R5.5	182.0	26.59	970
5"	125	210	250	3	22	8-18	325	158.0	205.0	415.0	27	102	R6.0	125	R7.0	215.0	48.00	1600
6"	150	240	285	3	22	8-22	350	175.0	222.0	415.0	27	102	R6.0	125	R7.0	215.0	65.50	2100

DIMENSIONS PN40

UNIT : mm

NOMINAL SIZE	ød	øK	øD	F	B	I-N	L	H2	H1	W	Q	øV	V1	øX	X1	H	KG	TORQUE kgf-cm
1/2"	15	65	95	2	14	4-14	115	46.5	56.0	110.0	9	42	R3.0	-	89	2.17	50	
3/4"	20	75	105	2	16	4-14	120	51.5	61.0	110.0	9	42	R3.0	50	R3.5	94	3.04	80
1"	25	85	115	2	16	4-14	125	57.5	67.0	136.0	11	42	R3.0	50	R3.5	95	3.80	105
1-1/4"	32	100	140	2	16	4-18	127	71.5	87.0	175.0	14	50	R3.5	70	R4.5	105.7	5.76	150
1-1/2"	40	110	150	3	15	4-18	140	76.5	92.0	203.0	14	50	R3.5	70	R4.5	110.7	6.92	205
2"	50	125	165	3	17	4-18	150	83.5	99.0	203.0	14	50	R3.5	70	R4.5	117.7	9.49	310
2-1/2"	65	145	185	3	19	8-18	170	118.5	137.0	227.5	17	70	R4.5	102	R5.5	155.5	15.70	370
3"	80	160	200	3	21	8-18	180	129.5	148.0	227.5	17	70	R4.5	102	R5.5	166.5	20.32	620
4"	100	190	235	3	21	8-22	190	145.0	163.5	377.5	17	70	R4.5	102	R5.5	182	29.42	970
5"	125	220	270	3	23	8-26	325	158.0	202.1	500.0	27	102	R6.0	125	R7.0	225	45.0	1600
6"	150	250	300	3	25	8-26	350	175.0	221.3	600.0	27	102	R6.0	125	R7.0	240	62.0	2100