

V-1H TYPE

SIZE: 1/4"~2"



BAR STOCK/INVESTMENT CASTING STAINLESS STEEL

AISI-316 (EN10213-4 1.4408) (ASTM-A351-CF8M)

CARBON STEEL

S-20C (EN10213-2 1.0619) (ASTM-A216-WCB)

FEATURES:

*Pipe thread in accordance with ANSI B2.1, BS 21 1973, DIN 259/2999, ISO 228, BSPP, BSPT

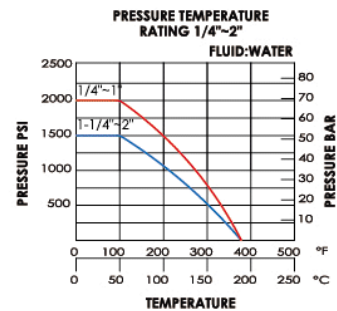
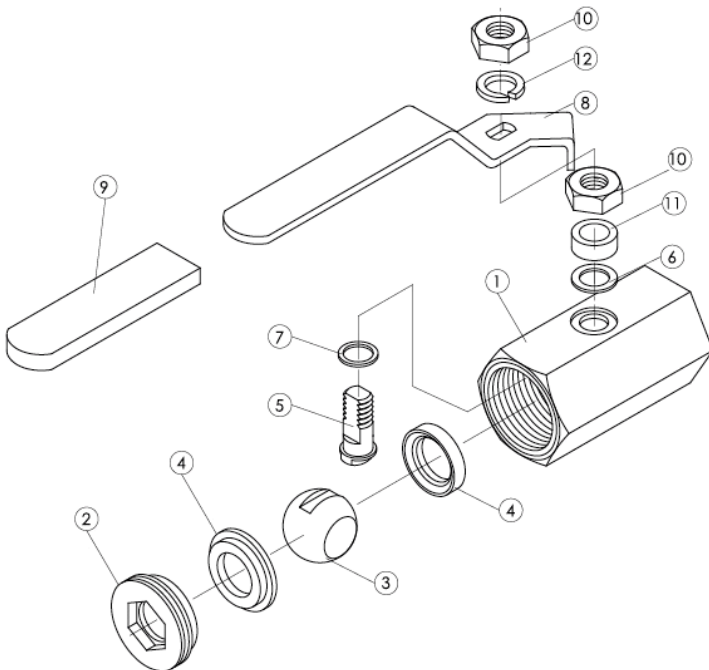
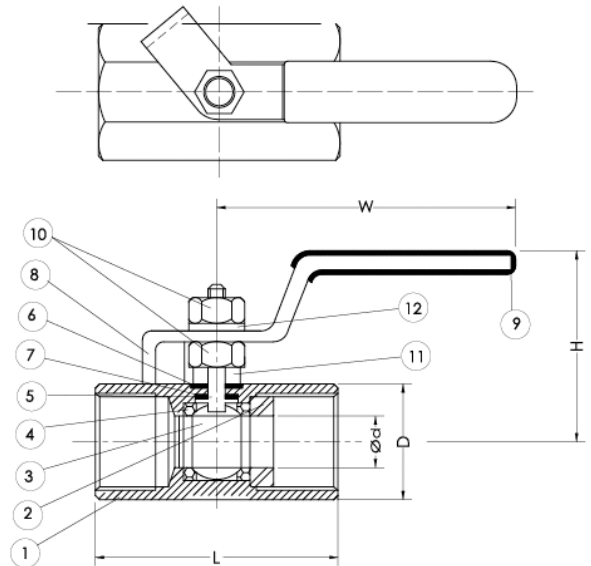
*Blow-out proof stem/Reduced port

*Dimension of SS316 and Carbon Steel are different

*2000PSI (PN130)

OPTION: Polished Surface (Stainless Steel only)

ITEM	PARTS	MATERIALS		
1	BODY	ASTM-A351-CF8M	ASTM-A216-WCB	ASTM-A1018
2	INSERT	ASTM-A351-CF8M	ASTM-A216-WCB	ASTM-A1018
3	BALL	ASTM-A351-CF8M	ASTM-A351-CF8M	ASTM-A351-CF8M
4	SEAT	15% R-PTFE	15% R-PTFE	15% R-PTFE
5	STEM	AISI 316	AISI 316	AISI 316
6	THRUST WASHER	PTEE	PTEE	PTEE
7	STEM SEAL	PTEE	PTEE	PTEE
8	HANDLE	AISI 304 or AISI 430	AISI 304 or AISI 430	AISI 304 or AISI 430
9	HANDLE SLEEVE	PLASTIC	PLASTIC	PLASTIC
10	NUT	AISI 304	AISI 304	AISI 304
11	WASHER	AISI 304	WCB	AISI 304
12	SPRING WASHER	AISI 304	AISI 304	AISI 304



V-1HC-CF8M

DIMENSIONS

UNIT:mm

NOMINAL SIZE	W	H	L	ød	D	KG
1/4"	66	38.0	39.4	5.0	17.5	0.12
3/8"	78	32.6	44	7.2	21.2	0.15
1/2"	108	62.0	56.7	9.0	29.0	0.33
3/4"	108	64.5	65.3	12.5	34.8	0.43
1"	108	63.0	76.5	15	41.0	0.63
1-1/4"	145	80.5	91.7	20	54.5	1.42
1-1/2"	145	80.5	98.5	25	57.9	1.45
2"	151	92.0	114.5	32	72.9	2.60