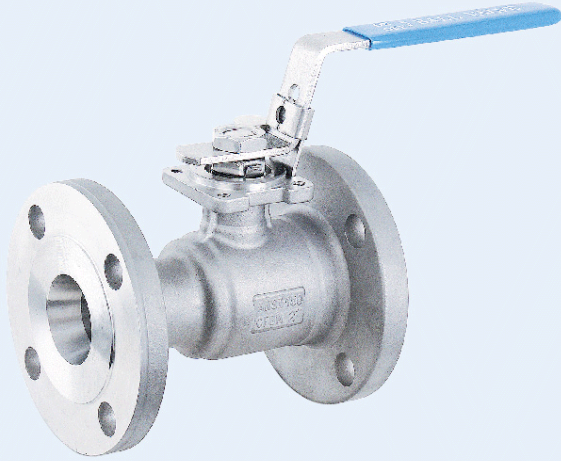


V-1FM^{150LBS} TYPE

SIZE: 1/2" ~ 4"



STAINLESS STEEL

AISI-316 (EN10213-4 1.4408) (ASTM-A351-CF8M)

AISI-304 (EN10213-4 1.4308) (ASTM-A351-CF8)

CARBON STEEL

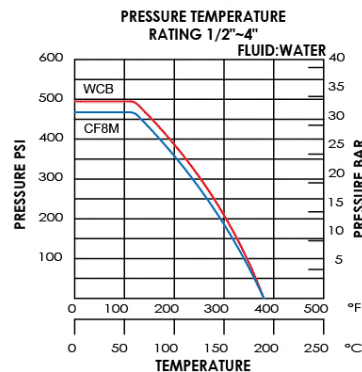
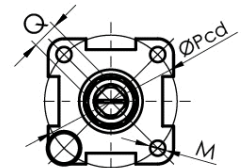
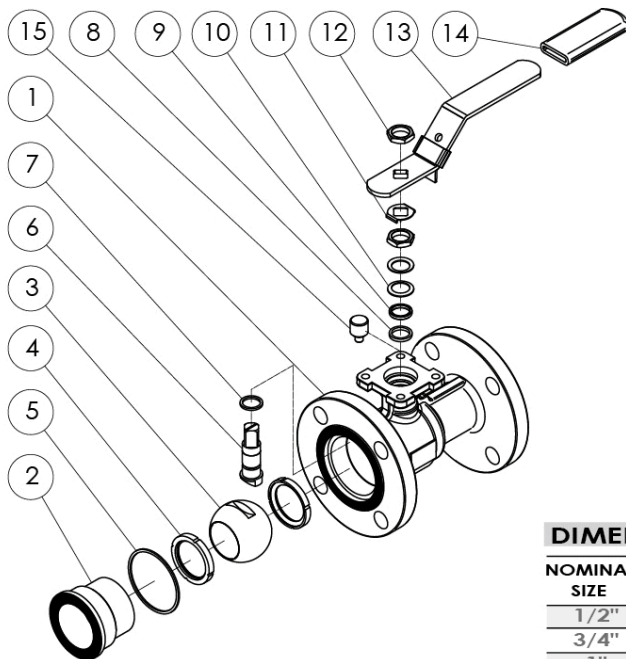
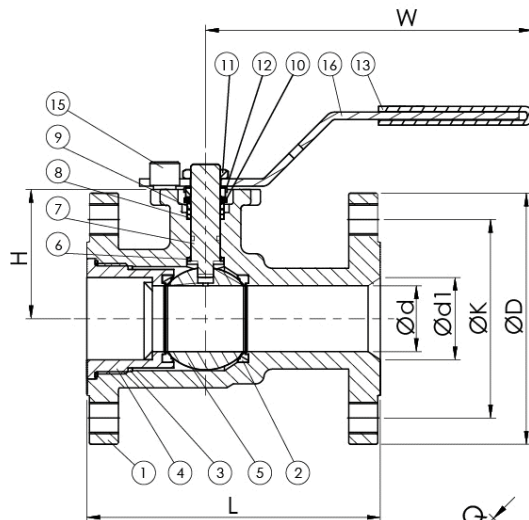
S-20C (EN10213-2 1.0619) (ASTM-A216-WCB)

FEATURES:

- *Flange: ANSI B16.5 class 150
- *Face to face: ANSI B16.10
- *ISO 5211 Mounting Pad
- *Anti-static device, fire safe design
- *Blow-out proof stem/Reduced port

OPTION: Fixed Handle
Locking device

ITEM	PARTS	Q'TY	STAINLESS STEEL	CARBON STEEL
1	BODY	1	ASTM-A351-CF8M	ASTM-A216-WCB
2	CAP	1	ASTM-A351-CF8M	ASTM-A216-WCB
3	BALL	1	ASTM-A351-CF8M	ASTM-A351-CF8
4	BALL SEAT	2	PTFE	PTFE
5	JOINT GASKET	1	PTFE	PTFE
6	STEM	1	AISI 316	AISI 316
7	THRUST WASHER	1	PTFE	PTFE
8	STEM PACKING	2	PTFE	PTFE
9	STEM RING	1	AISI 304	AISI 304
10	BELLEVILLE WASHER	2	AISI 304	AISI 304
11	LOCK WASHER	1	AISI 304	AISI 304
12	STEM NUT	2	AISI 304	AISI 304
13	HANDLE	1	AISI 304 or AISI 430	AISI 304 or AISI 430
14	HANDLE SLEEVE	1	PLASTIC	PLASTIC
15	STOPPER PIN	1~2	AISI 304	AISI 304



DIMENSIONS

UNIT:mm

NOMINAL SIZE	Ød	ISO-5211				ØK	Ød1	ØD	W	L	H	TORQUE kgf-cm
		ØPcd	M	ØX	ØK							
1/2"	10	F04	42	M5	9.0	60.5	15.0	89.0	140	108	44.5	50
3/4"	15	F04	42	M5	9.0	70.0	20.0	98.6	140	117	49.3	79
1"	20	F05	50	M6	9.0	79.5	25.4	108.0	180	127	54.0	99
1-1/2"	25.4	F07	70	M8	14	98.5	40.0	127.0	200	165	66.7	197
2"	40	F07	70	M8	14	120.5	50.8	152.4	200	178	76.2	295
2-1/2"	50.4	F07	70	M8	14	139.5	65.0	178.0	220	190	93.8	393
3"	65	F10	102	M10	17	152.5	80.0	190.5	300	203	107	589
4"	80	F10	102	M10	17	190.5	101.6	229.0	380	230	122	932