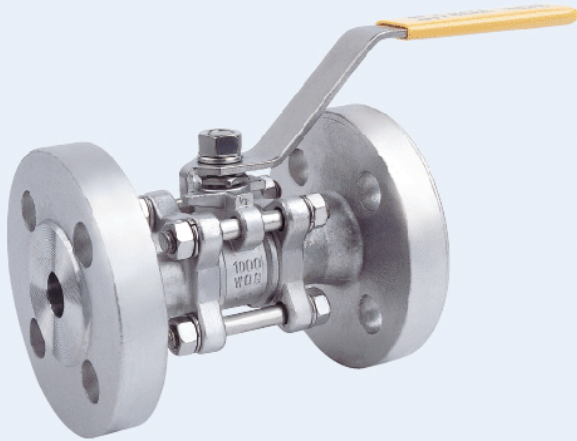


FLANGE END 3-PIECE FULL PORT BALL VALVE



V-3EF TYPE

SIZE: 1/2"~4"



DIN PN16/PN40 STAINLESS STEEL

AISI-316 (EN10213-4 1.4408) (ASTM-A351-CF8M)

AISI-304 (EN10213-4 1.4308) (ASTM-A351-CF8)

CARBON STEEL

S-20C (EN10213-2 1.0619) (ASTM-A216-WCB)

FEATURES:

*Face-to-face DIN 3202-F1

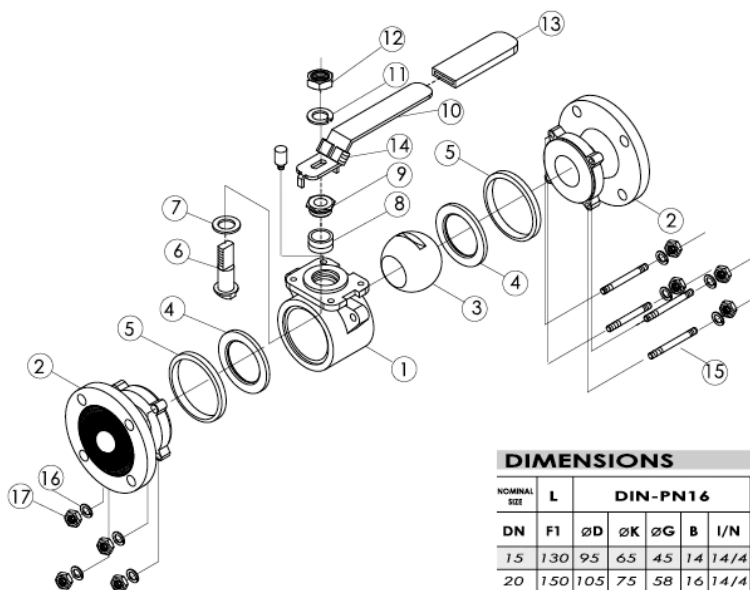
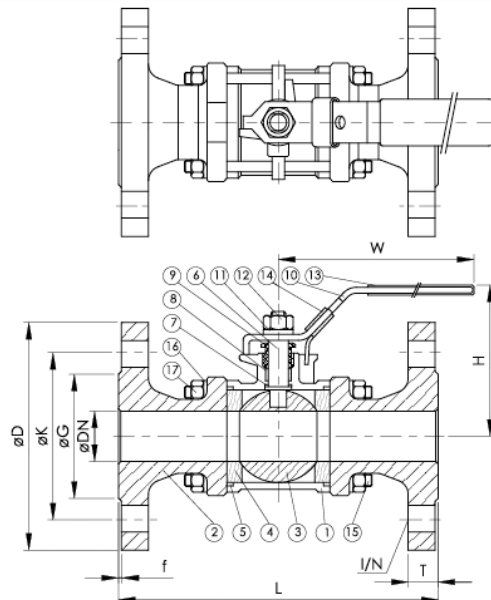
*Blow-out proof stem/Full port

*Investment casting body and cap

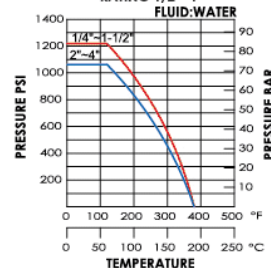
OPTION: Locking device

ISO 5211 Mounting Pad

ITEM	PARTS	Q.TY	MATERIALS	
1	BODY	1	ASTM-A351-CF8M	ASTM-A216-WCB
2	FLANGED END CAP	2	ASTM-A351-CF8M	ASTM-A216-WCB
3	BALL	1	ASTM-A351-CF8M	ASTM-A351-CF8
4	BALL SEAT	2	PTFE	PTFE
5	JOINT GASKET	2	PTFE	PTFE
6	STEM	1	AISI 316	AISI 316
7	THRUST WASHER	1	PTFE	PTFE
8	STEM PACKING	2	PTFE	PTFE
9	GLAND NUT	1	AISI 304	AISI 304
10	HANDLE	1	AISI 304 or AISI 430	AISI 304 or AISI 430
11	STEM WASHER	1	AISI 304	AISI 304
12	STEM NUT	1	AISI 304	AISI 304
13	HANDLE SLEEVE	1	PLASTIC	PLASTIC
14	LOCK DEVICE	1	AISI 304 or AISI 430	AISI 304 or AISI 430
15	BOLT	4(3",4"x6pcs)	AISI 304	AISI 304
16	SPRING WASHER	8(3",4"x12pcs)	AISI 304	AISI 304
17	HEX NUT	8(3",4"x12pcs)	AISI 304	AISI 304



PRESSURE TEMPERATURE
RATING 1/2"~4"
FLUID: WATER



DIMENSIONS

UNIT:mm

NOMINAL SIZE	L	DIN-PN16				DIN-PN40				f	H	W	Cv FACTOR	TORQUE kgf-cm	KG		
		DN	F1	∅D	∅K	∅G	B	I/N	∅D							∅K	∅G
15	130	95	65	45	14	14/4	95	65	45	16	14/4	2	73.5	130	11.2	54	2.53
20	150	105	75	58	16	14/4	105	75	58	18	14/4	2	77.5	155	21	74	3.51
25	160	115	85	68	16	14/4	115	85	68	18	14/4	2	93.5	173	35	104	4.71
32	180	140	100	78	16	18/4	140	100	78	18	18/4	2	99.0	173	57	135	7.04
40	200	150	110	88	16	18/4	150	110	88	18	18/4	3	108.5	185	80	180	8.43
50	230	165	125	102	18	18/4	165	125	102	20	18/4	3	117.0	185	148	250	11.68
65	290	185	145	122	18	18/4	185	145	122	22	18/8	3	127.0	215	255	480	16.86
80	305	200	160	138	20	18/8	200	160	138	24	18/8	3	136.0	215	415	750	27.20
100	355	220	180	158	20	18/8	235	190	162	24	22/8	3	191.0	325	780	1100	39.00