

V-3SAN TYPE

SIZE: 1/2"~4"



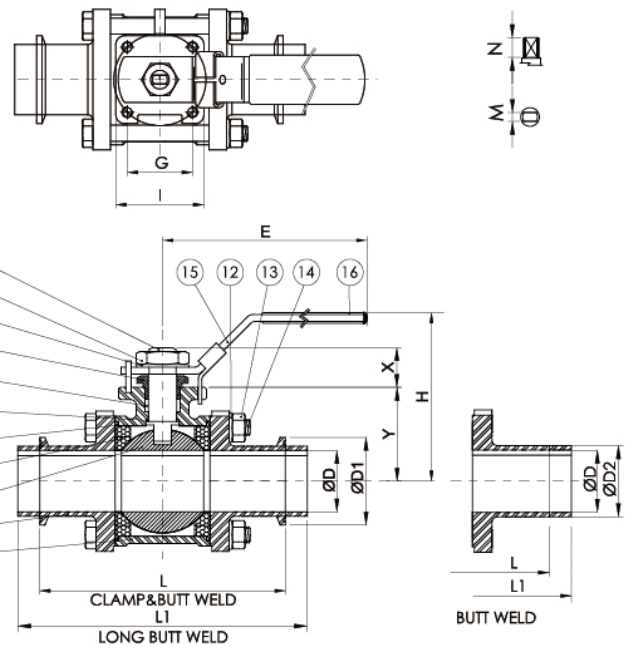
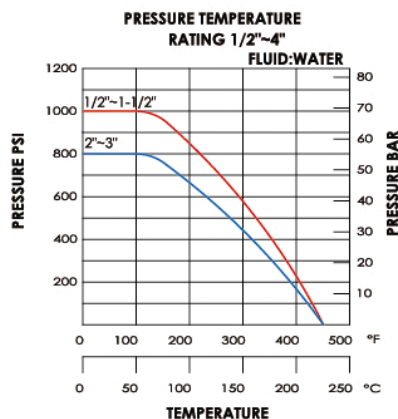
STAINLESS STEEL AISI316 (EN10213-4 1.4408) (ASTM-A351-CF8M)

FEATURES:

- *Pipe thread in accordance with ANSI B2.1, BS 21 1973, DIN 259/2999, ISO 228
- *Blow-out proof stem/Full port
- *Investment casting body and cap
- *1000PSI (PN63)
- *Clamp end

OPTION: Cavity filled
Locking device
ISO 5211 Mounting Pad
Butt weld end

ITEM	PARTS	Q.TY	MATERIALS
1	BODY	1	ASTM CF8 / CF8M /CF3M
2	CAP	2	ASTM CF8 / CF8M /CF3M
3	BALL	1	ASTM CF8 / CF8M /CF3M
4	SEAT	2	PTFE / TFM
5	BODY SEAT	2	PTFE
6	THRUST WASHER	1	PTFE
7	STEM PACKING	1	PTFE
8	GLAND NUT	1	AISI 304
9	STEM WASHER	1	AISI 304
10	STEM NUT	1	AISI 304
11	STEM	1	AISI 304 / 316 / 316L
12	BOLT WASHER	4.8.12	AISI 304
13	NUT	4.8.12	AISI 304
14	BOLT	4.6	AISI 304
15	HANDLE	1	AISI 304 / 430
16	HANDLE SLEEVE	1	PLASTIC



DIMENSIONS

UNIT:mm

MM	SIZE IN	ISO-5211	ØD±0.2	L±1.0	H±3.0	E±3.0	ØD1	ØD2	ØD2	G	I	X	Y	M	N	TURTEQ kgf-cm	L1±1.0	BW L±1.0	
15	1/2"	F03	36	9.5	89	63	140	25.5	12.7	12.7	25.5	37	18.0	29.0	5	13.0	58	137	-
20	3/4"	F03	36	15.9	101	66	140	25.5	19.1	19.1	25.5	37	19.0	33.0	5	13.0	93	147	99
25	1"	F04	42	22.2	114	71	140	50.4	25.4	25.4	29.7	42	19.5	37.5	6.5	14.0	139	168	-
40	1-1/2"	F05	50	35.0	140	93	195	50.4	38.1	38.1	35.4	50	27.5	48.5	8.5	17.5	300	186	-
50	2"	F05	50	47.6	156	100	195	63.6	50.8	50.8	35.4	50	25.5	58.5	8.5	17.5	404	223	-
65	2-1/2"	F07	70	60.2	197	140	262	77.5	63.5	63.5	49.5	72	37.0	79.5	12	27.5	473	250	-
80	3"	F07	70	73.0	229	155	262	90.8	76.2	76.2	49.5	72	42.0	83.5	12	27.5	669	302	-
100	4"	F10	102	97.4	241	180	290	118.5	101.6	101.6	72.1	95	49.5	110.5	16	35.5	1798	317.5	-