

# SCREWED END 2-PIECE REDUCED PORT BALL VALVE



## V-2ER TYPE

SIZE: 1/2"~2"



### STAINLESS STEEL

**AISI-316** (EN10213-4 1.4408) (ASTM-A351-CF8M)

**AISI-304** (EN10213-4 1.4308) (ASTM-A351-CF8)

### CARBON STEEL

**S-20C** (EN10213-2 1.0619) (ASTM-A216-WCB)

#### FEATURES:

\*Pipe thread in accordance with ANSI B2.1, BS 21 1973, DIN 259/2999, ISO 228, BSPP, BSPT

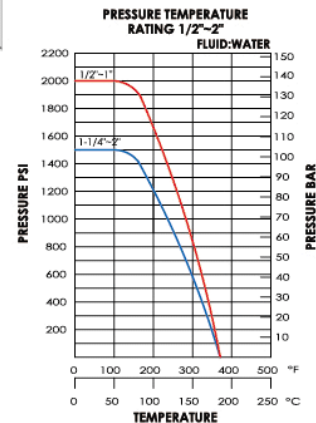
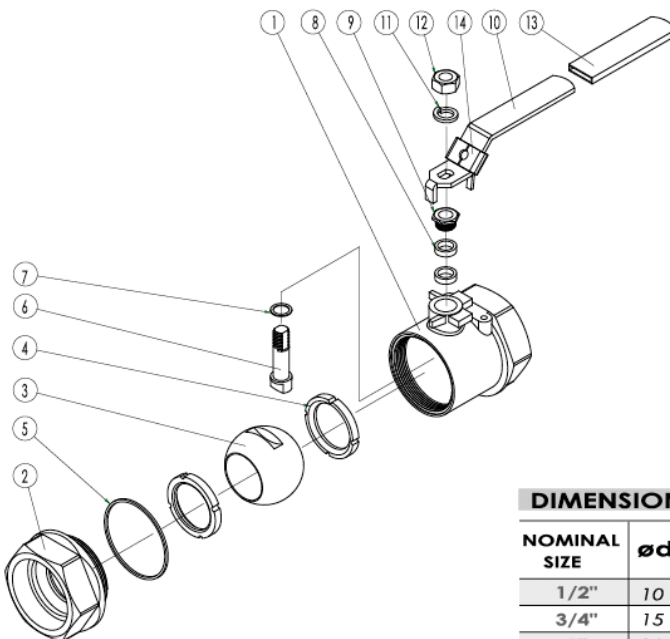
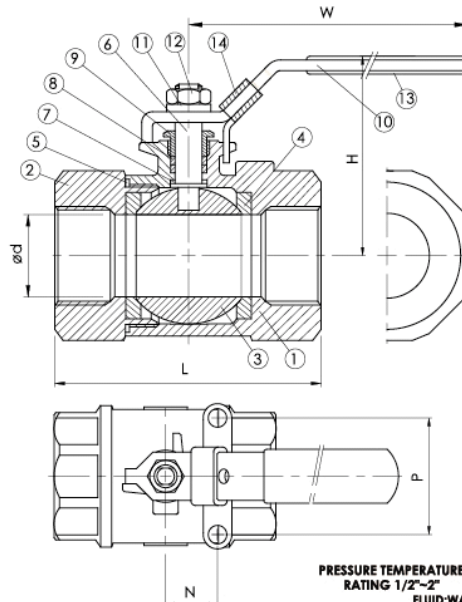
\*Blow-out proof stem/Reduced port

\*Investment casting body and cap

\*2000PSI (PN130) (1/2"~1")/1500PSI (PN100) (1-1/4"~2")

**OPTION:** Locking device

ITEM	PARTS	Q.TY	MATERIALS	
1	BODY	1	ASTM-A351-CF8M	ASTM-A216-WCB
2	CAP	1	ASTM-A351-CF8M	ASTM-A216-WCB
3	BALL	1	ASTM-A351-CF8M	ASTM-A351-CF8
4	BALL SEAT	2	PTFE	PTFE
5	JOINT GASKET	1	PTFE	PTFE
6	STEM	1	AISI 316	AISI 316
7	THRUST WASHER	1	PTFE	PTFE
8	STEM PACKING	2	PTFE	PTFE
9	GLAND NUT	1	AISI 304	AISI 304
10	HANDLE	1	AISI 304 or AISI 430	AISI 304 or AISI 430
11	SPRING WASHER	1	AISI 304	AISI 304
12	STEM NUT	1	AISI 304	AISI 304
13	HANDLE SLEEVE	1	PLASTIC	PLASTIC
14	LOCK DEVICE	1	AISI 304 or AISI 430	AISI 304 or AISI 430



#### DIMENSIONS

UNIT:mm

NOMINAL SIZE	ød	L	H	W	Y	N	Cv FACTOR	TORQUE kgf-cm	KG
1/2"	10	59.5	50.5	93	25.0	12.5	9.5	40	0.30
3/4"	15	60.0	52.9	93	25.0	12.5	14	57	0.38
1"	20	82.5	59.1	110	25.0	21.0	26	78	0.67
1-1/4"	25	91.0	65.1	110	33.5	22.5	43	106	1.06
1-1/2"	32	99.0	77.3	135	38.1	23.5	70	150	1.43
2"	40	120.0	86.9	135	38.1	23.5	102	200	2.42