

## V-2 TYPE

SIZE: 1/4"~4"



Spring handle



### STAINLESS STEEL

**AISI-316** (EN10213-4 1.4408) (ASTM-A351-CF8M)

**AISI-304** (EN10213-4 1.4308) (ASTM-A351-CF8)

### CARBON STEEL

**S-20C** (EN10213-2 1.0619) (ASTM-A216-WCB)

#### FEATURES:

\*Pipe thread in accordance with ANSI B2.1, BS 21 1973, DIN 259/2999, ISO 228, BSPP, BSPT

\*Blow-out proof stem/Full port

\*Investment casting body and cap

\*1000PSI (PN63) / 2000PSI (PN130)

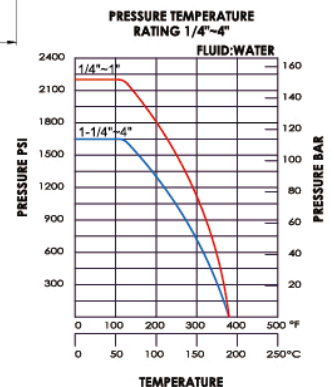
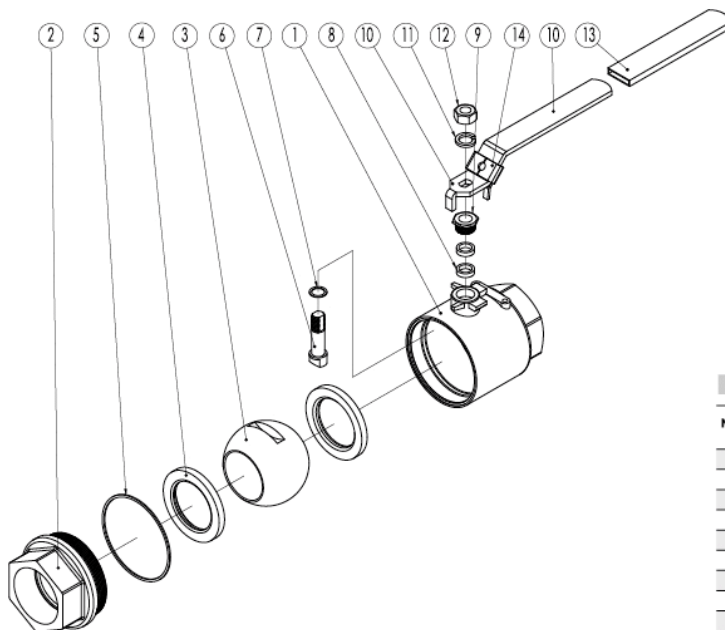
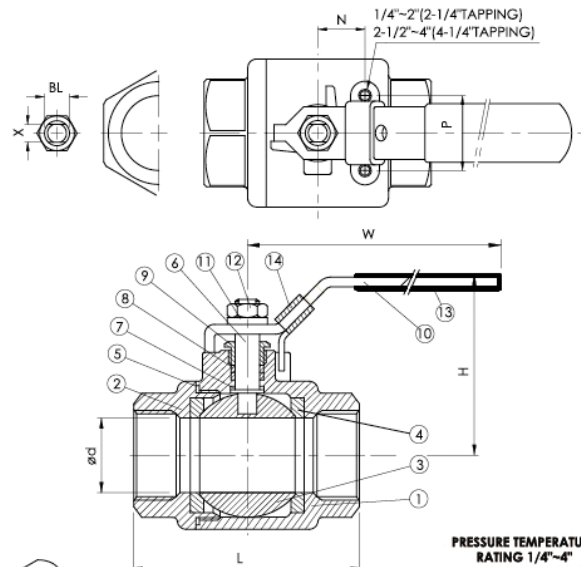
OPTION: Locking device

Drilling and Tapped Mounting Pad

DIN Standard, M3 Length

Spring handle

ITEM	PARTS	Q.TY	MATERIALS	
1	BODY	1	ASTM-A351-CF8M	ASTM-A216-WCB
2	CAP	1	ASTM-A351-CF8M	ASTM-A216-WCB
3	BALL	1	ASTM-A351-CF8M	ASTM-A351-CF8
4	BALL SEAT	2	PTFE	PTFE
5	JOINT GASKET	1	PTFE	PTFE
6	STEM	1	AISI 316	AISI 316
7	THRUST WASHER	1	PTFE	PTFE
8	STEM PACKING	2	PTFE	PTFE
9	GLAND NUT	1	AISI 304	AISI 304
10	HANDLE	1	AISI 304 or AISI 430	AISI 304 or AISI 430
11	SPRING WASHER	1	AISI 304	AISI 304
12	STEM NUT	1	AISI 304	AISI 304
13	HANDLE SLEEVE	1	PLASTIC	PLASTIC
14	LOCK DEVICE	1	AISI 304 or AISI 430	AISI 304 or AISI 430



#### DIMENSIONS

NOMINAL SIZE	ød	L	H	W	X	N	P	BL	Cv FACTOR	TORQUE kgf-cm	KG
1/4"	11.6	60.5	56	95	5	12.5	28.5	5/16"	6.6	46	0.3
3/8"	12.7	60.5	56	95	5	12.5	28.5	5/16"	7.9	46	0.3
1/2"	15.0	62.5	56	95	5	12.5	28.5	5/16"	11.2	54	0.40
3/4"	20.0	77	63	110	6.5	21.0	34.8	3/8"	21	78	0.64
1"	25.4	90	77	135	8	22.5	34.8	7/16"	35	106	1.09
1-1/4"	32.0	100	83	135	8	23.5	38.1	7/16"	57	150	1.54
1-1/2"	38.0	118	99	165	9	23.5	38.1	1/2"	80	200	2.3
2"	50.8	138	108	165	9	34.0	38.1	1/2"	150	280	3.8
2-1/2"	65.0	167	142	215	12	35.0	56.0	3/4"	265	500	6.8
3"	80.0	193	154	215	12	35.0	56.0	3/4"	415	770	11.58
4"	100	260	177	325	16	50.0	63.0	1"	780	1100	23