

# V-3MH TYPE

SIZE: 1/4"~6"



**DIRECT MOUNTING PAD**

## STAINLESS STEEL

**AISI-316** (EN10213-4 1.4408) (ASTM-A351-CF8M)

**AISI-304** (EN10213-4 1.4308) (ASTM-A351-CF8)

## CARBON STEEL

**S-20C** (EN10213-2 1.0619) (ASTM-A216-WCB)

### FEATURES:

\*Pipe thread in accordance with ANSI B2.1, BS 21 1973, DIN 259/2999, ISO 228, BSPP, BSPT

\*Blow-out proof stem/Full port

\*Investment casting body and cap

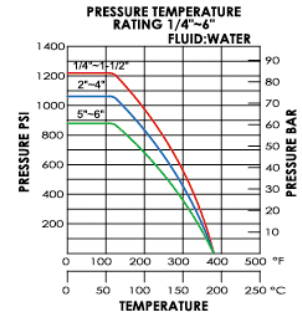
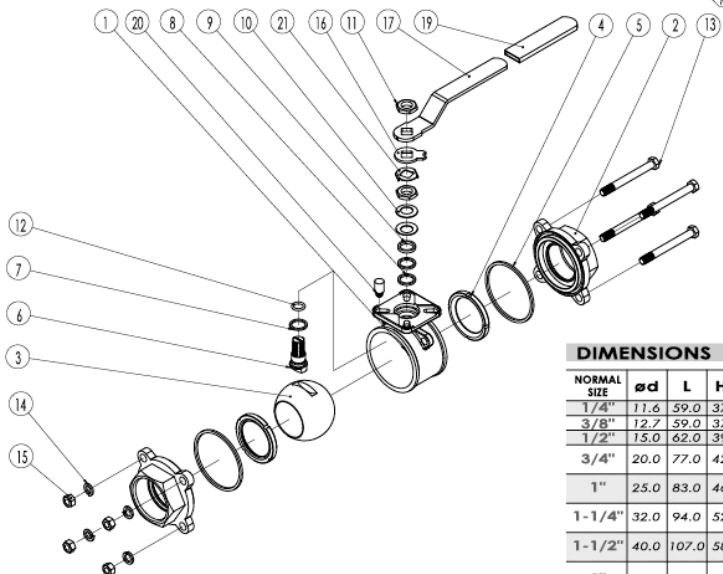
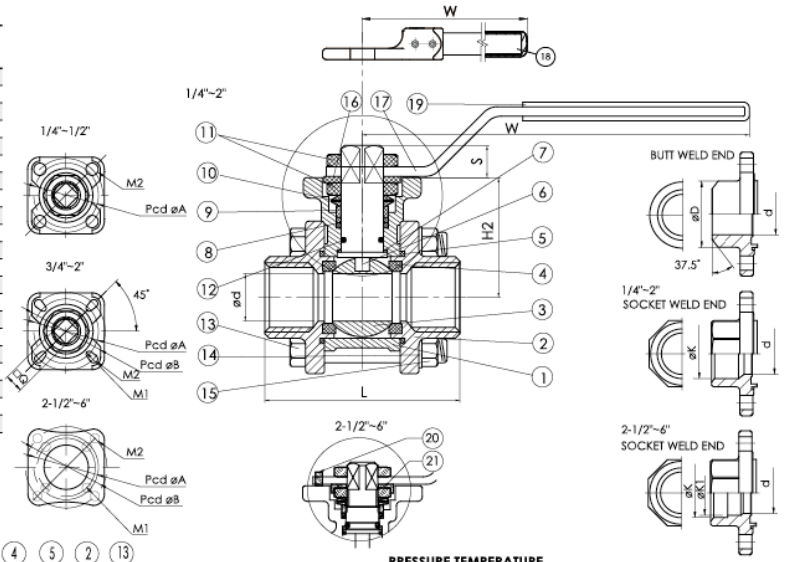
\*1000PSI (PN63)

\*ISO 5211 Direct Mounting Pad

\*TA-Luft certificate

**OPTION:** Similar Design but with C Style clip  
DIN Standard, M3 Length

ITEM	PARTS	Q.TY	MATERIALS	
1	BODY	1	ASTM-A351-CF8M	ASTM-A216-WCB
2	CAP	2	ASTM-A351-CF8M	ASTM-A216-WCB
3	BALL	1	ASTM-A351-CF8M	ASTM-A351-CF8
4	BALL SEAT	2	PTFE	PTFE
5	JOINT GASKET	2	PTFE	PTFE
6	STEM	1	AISI 316	AISI 316
7	THRUST WASHER	1	PTFE	PTFE
8	STEM PACKING	2	PTFE	PTFE
9	HIGH WASHER	1	AISI 304	AISI 304
10	BELLEVILLE WASHER	2	AISI 304	AISI 304
11	STEM NUT	2	AISI 304	AISI 304
12	O-RING	1	VITON	VITON
13	BOLT	4(2-1/2"-4"X6PCS)	AISI 304	AISI 304
14	SPRING WASHER	4(2-1/2"-4"X6PCS)	AISI 304	AISI 304
15	HEX NUT	4(2-1/2"-4"X6PCS)	AISI 304	AISI 304
16	STOPPER	1	AISI 304	AISI 304
17	HANDLE	1	AISI 304 or AISI 430	AISI 304 or AISI 430
18	HANDLEBAR(5"~6")	1	AISI 304	AISI 304
19	HANDLE SLEEVE	1	PLASTIC	PLASTIC
20	STOPPER PIN	1	AISI 304	AISI 304
21	LOCK WASHER	1	AISI 304	AISI 304



DIMENSIONS													UNIT:mm			
NORMAL SIZE	ød	L	H2	W	S	øA	øB	M1	M2	□Q	Cv FACTOR	TORQUE kgf-cm	øD	øK	øK1	KG
1/4"	11.6	59.0	37.0	112.0	9.6	36	-	-	R3.0	9	6.6	4.5	ø18.1	ø14.1	ø11	0.46
3/8"	12.7	59.0	37.0	112.0	9.6	36	-	-	R3.0	9	7.9	4.5	ø18.1	ø17.6	ø12.7	0.44
1/2"	15.0	62.0	39.0	112.0	9.6	36	-	-	R3.0	9	11.2	5.5	ø21.7	ø21.7	ø16.1	0.55
3/4"	20.0	77.0	42.7	138.0	11.6	42	50	R3	R3.5	11	21	90	ø27.2	ø27.2	ø21.3	0.81
1"	25.0	83.0	46.4	138.0	11.6	42	50	R3	R3.5	11	34	110	ø34.0	ø33.9	ø26.7	1.00
1-1/4"	32.0	94.0	52.8	205.0	11.2	50	70	R3.5	R4.5	14	57	155	ø42.7	ø43.2	ø35.2	1.66
1-1/2"	40.0	107.0	58.5	205.0	11.2	50	70	R3.5	R4.5	14	80	220	ø48.6	ø48.7	ø41.5	2.35
2"	50.0	123.0	66.0	205.0	11.2	50	70	R3.5	R4.5	14	148	330	ø60.5	ø61.1	ø55.5	3.50
2-1/2"	65.0	156.0	101.5	322.5	19.0	70	102	R4.5	R5.5	17	265	400	ø76.3	ø73.8	ø70.9	8.55
3"	80.0	182.0	112.5	322.5	19.0	70	102	R4.5	R5.5	17	415	660	ø93.0	ø89.8	ø82.5	12.38
4"	100.0	213.6	127.0	322.5	19.0	70	102	R4.5	R5.5	17	780	900	ø114.0	ø115.4	ø108	19.83
5"	125.0	319.0	158.5	500.0	47.0	102	125	R6	R7.0	27	1040	1200	ø145.0	-	ø127.2	36.92
6"	154.2	350.0	175.0	500.0	47.0	102	125	R6	R7.0	27	1200	1500	ø168.4	-	ø154	55.87