

# SCREWED END NEW 2-PIECE FULL PORT BALL VALVE



## V-2E TYPE

SIZE: 1/4" ~ 4"



### STAINLESS STEEL

**AISI-316** (EN10213-4 1.4408) (ASTM-A351-CF8M)

**AISI-304** (EN10213-4 1.4308) (ASTM-A351-CF8)

### CARBON STEEL

**S-20C** (EN10213-2 1.0619) (ASTM-A216-WCB)

#### FEATURES:

\*Pipe thread in accordance with ANSI B2.1, BS 21 1973, DIN 259/2999, ISO 228, BSPP, BSPT

\*Blow-out proof stem/Full port

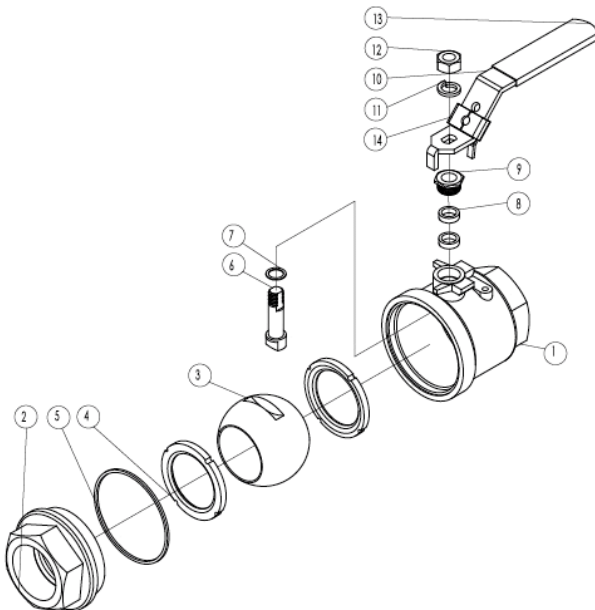
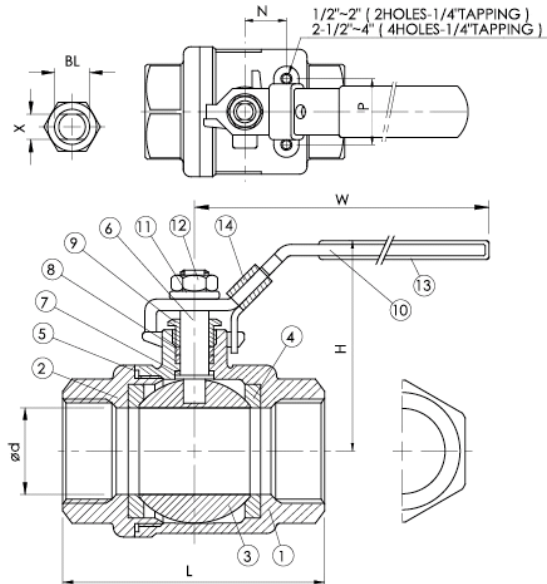
\*Investment casting body and cap

\*1000PSI (PN63)

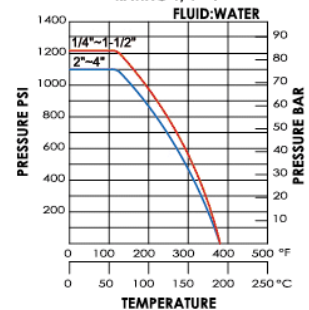
**OPTION: Locking device**

**Drilling and Tapped Mounting Pad**

ITEM	PARTS	Q.TY	MATERIALS	
1	BODY	1	ASTM-A351-CF8M	ASTM-A216-WCB
2	CAP	1	ASTM-A351-CF8M	ASTM-A216-WCB
3	BALL	1	ASTM-A351-CF8M	ASTM-A351-CF8
4	BALL SEAT	2	PTFE	PTFE
5	JOINT GASKET	1	PTFE	PTFE
6	STEM	1	AISI 316	AISI 316
7	THRUST WASHER	1	PTFE	PTFE
8	STEM PACKING	2	PTFE	PTFE
9	GLAND NUT	1	AISI 304	AISI 304
10	HANDLE	1	AISI 304 or AISI 430	AISI 304 or AISI 430
11	SPRING WASHER	1	AISI 304	AISI 304
12	STEM NUT	1	AISI 304	AISI 304
13	HANDLE SLEEVE	1	PLASTIC	PLASTIC
14	LOCK DEVICE	1	AISI 304 or AISI 430	AISI 304 or AISI 430



#### PRESSURE TEMPERATURE RATING 1/4"-4"



#### DIMENSIONS

UNIT:mm

NOMINAL SIZE	Ød	L	H	W	X	N	P	BL	Cv FACTOR	TORQUE kgf-cm	KG
1/4"	11.6	44.5	51.0	95	5.0	12.5	25.0	5/16"	6.6	46	0.22
3/8"	12.7	44.5	51.0	95	5.0	12.5	25.0	5/16"	7.9	46	0.22
1/2"	15.0	57.0	53.0	95	5.0	12.5	25.0	5/16"	11.2	54	0.29
3/4"	20.0	65.0	59.5	110	6.5	21.0	24.0	3/8"	21	78	0.42
1"	25.0	76.0	73.0	135	8.0	22.5	33.5	7/16"	35	106	0.71
1-1/4"	32.0	87.5	79.0	135	8.0	23.5	38.1	7/16"	57	150	1.06
1-1/2"	38.0	102	90.5	165	9.0	23.5	38.1	1/2"	80	200	1.68
2"	50.0	123	98.5	165	9.0	23.5	38.1	1/2"	150	280	2.71
2-1/2"	65.0	156	130.5	215	12	35.0	56.0	3/4"	265	500	5.25
3"	80.0	184	142.5	215	12	35.0	56.0	3/4"	415	770	8.60
4"	100	250	173.5	325	16	50.0	63.0	1"	780	1100	19.32