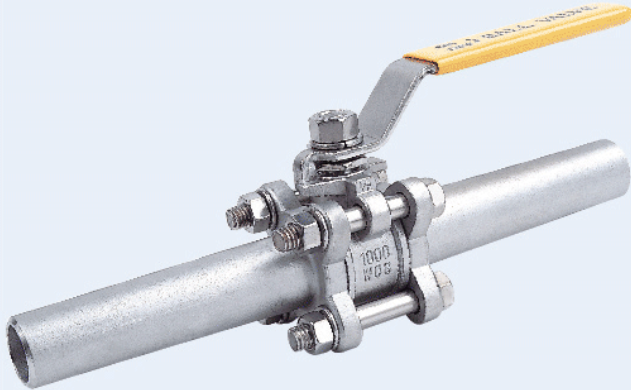


## V-3L TYPE

SIZE: 1/4"~4"



### STAINLESS STEEL

**AISI-316** (EN10213-4 1.4408) (ASTM-A351-CF8M)

**AISI-304** (EN10213-4 1.4308) (ASTM-A351-CF8)

### CARBON STEEL

**S-20C** (EN10213-2 1.0619) (ASTM-A216-WCB)

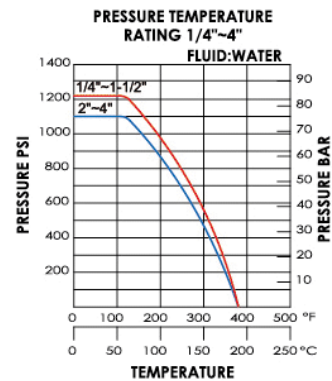
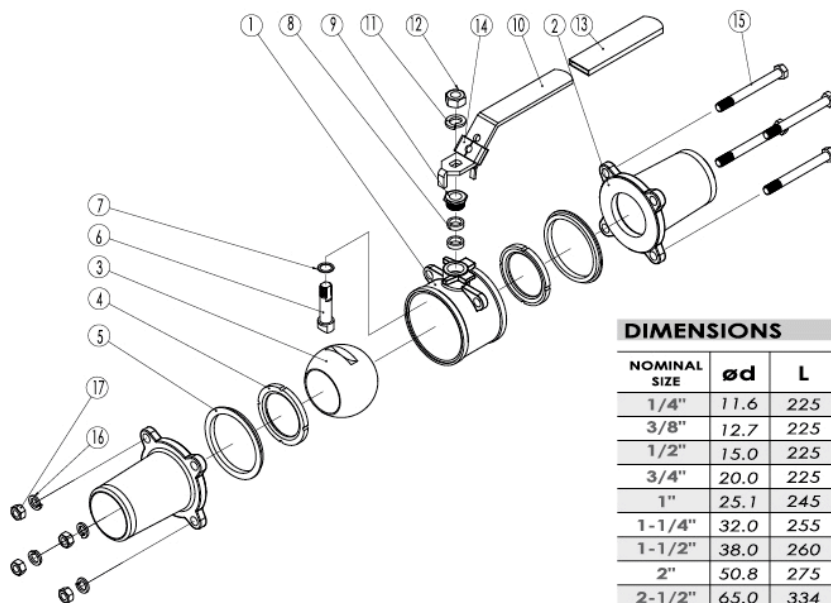
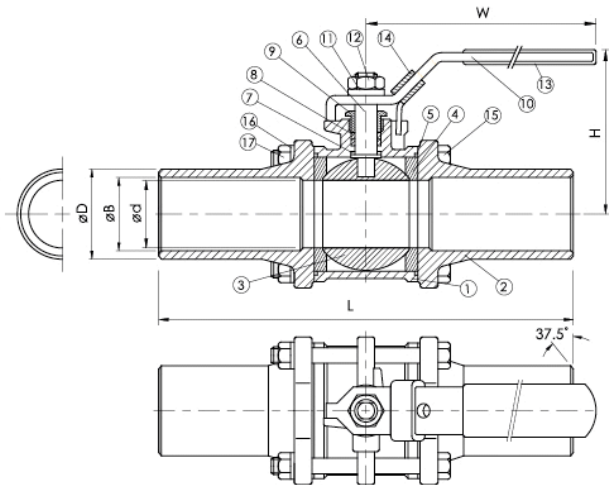
### FEATURES:

- \*Long butt weld end, full port ball valve
- \*Blow-out proof stem / Full port
- \*Investment casting body and cap
- \*1000PSI (PN63)

### OPTION: Locking device

ISO 5211 Mounting Pad  
stainless steel 316L end caps  
(EN10213-4 1.4409)

ITEM	PARTS	Q.TY	MATERIALS	
1	BODY	1	ASTM-A351-CF8M	ASTM-A216-WCB
2	CAP	2	ASTM-A351-CF8M	ASTM-A216-WCB
3	BALL	1	ASTM-A351-CF8M	ASTM-A351-CF8
4	BALL SEAT	2	PTFE	PTFE
5	JOINT GASKET	2	PTFE	PTFE
6	STEM	1	AISI 316	AISI 316
7	THRUST WASHER	1	PTFE	PTFE
8	STEM PACKING	2	PTFE	PTFE
9	GLAND NUT	1	AISI 304	AISI 304
10	HANDLE	1	AISI 304 or AISI 430	AISI 304 or AISI 430
11	STEM WASHER	1	AISI 304	AISI 304
12	STEM NUT	1	AISI 304	AISI 304
13	HANDLE SLEEVE	1	PLASTIC	PLASTIC
14	LOCK DEVICE	1	AISI 304 or AISI 430	AISI 304 or AISI 430
15	BOLT	4(3".4"x6 PCS)	AISI 304	AISI 304
16	SPRING WASHER	4(3".4"x12 PCS)	AISI 304	AISI 304
17	HEX NUT	4(3".4"x12 PCS)	AISI 304	AISI 304



### DIMENSIONS

UNIT:mm

NOMINAL SIZE	ød	L	H	W	øB	øD	Cv FACTOR	TORQUE kgf-cm	KG
1/4"	11.6	225	51	103	12.2	17.8	6.6	40	0.58
3/8"	12.7	225	51	103	14.0	19.2	7.9	40	0.56
1/2"	15.0	225	55	123	17.0	22.0	11.2	54	0.78
3/4"	20.0	225	60	123	22.5	27.5	21	74	1.04
1"	25.1	245	74	158	27.0	33.5	34	104	1.72
1-1/4"	32.0	255	80	158	35.0	44.0	57	135	2.67
1-1/2"	38.0	260	92	188	41.5	50.0	80	180	3.37
2"	50.8	275	101	188	53.0	61.5	148	250	5.12
2-1/2"	65.0	334	130	243	68.0	76.0	265	480	8.4
3"	80.0	354	142	243	80.0	92.0	415	750	14.5
4"	100	365	174	323	100	115	780	1100	36.5