

# SCREWED END 1-PC REDUCED PORT BALL VALVE



## V-1M TYPE

SIZE: 1/4"~2"



### STAINLESS STEEL

**AISI-316** (EN10213-4 1.4408) (ASTM-A351-CF8M)

**AISI-304** (EN10213-4 1.4308) (ASTM-A351-CF8)

#### FEATURES:

\*Pipe thread in accordance with ANSI B2.1, BS 21 1973, DIN 259/2999, ISO 228, BSPP, BSPT

\*Blow-out proof stem/Reduced port

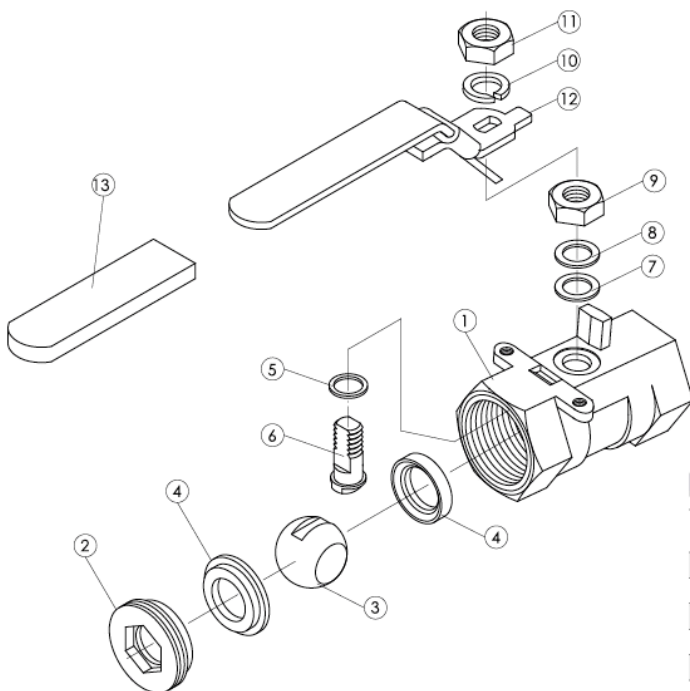
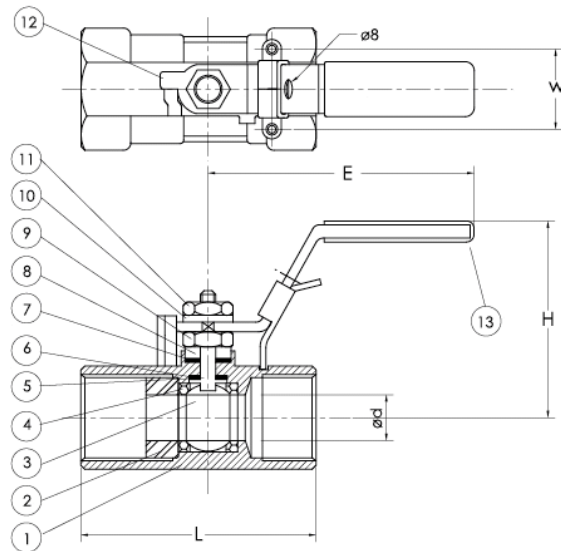
\*Investment casting body and inscrewed

**\*2000PSI (PN130)**

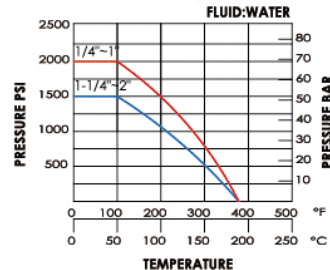
**OPTION: Locking device**

**Drilling and Tapped Mounting Pad**

ITEM	PARTS	MATERIALS
1	BODY	ASTM-A351-CF8M
2	INSERT	ASTM-A351-CF8M
3	BALL	ASTM-A351-CF8M
4	SEAT	15% R-PTFE
5	THRUST WASHER	PTFE
6	STEM	AISI 316
7	STEM SEAL	PTFE
8	GLAND WASHER	AISI 304
9	NUT	AISI 304
10	SPRING WASHER	AISI 304
11	NUT	AISI 304
12	HANDLE	AISI 304 or AISI 430
13	HANDLE SLEEVE	VINYL GRIP



#### PRESSURE TEMPERATURE RATING 1/4"~2"



NOMINAL SIZE	DIMENSIONS					UNIT:mm
	ød	L	H	E	W	KG
1/4"~3/8"	9.2	58.5	46.9	109.0	28.5	0.32
1/2"	9.2	66	57.9	102.0	28.2	0.275
3/4"	12.5	70	60.9	102.0	28.2	0.36
1"	15	80	63.8	104.7	35.6	0.63
1-1/4"	20	95	70.3	101.9	35.6	0.894
1-1/2"	25	101	72.3	156.1	35.6	1.254
2"	32	114	78.3	155.1	35.6	1.852