

FLANGE END 2-PIECE END FULL PORT BALL VALVE



V-2F ^{PN16, PN40} TYPE

SIZE: 1/2" ~ 12"



DIN PN16, DIN PN40 STAINLESS STEEL

AISI-316 (EN10213-4 1.4408) (ASTM-A351-CF8M)

AISI-304 (EN10213-4 1.4308) (ASTM-A351-CF8)

CARBON STEEL

S-20C (EN10213-2 1.0619) (ASTM-A216-WCB)

FEATURES:

*Flange: DIN 2633 PN16

DIN 2635 PN40

*Face to face: DIN3202 F4/F5

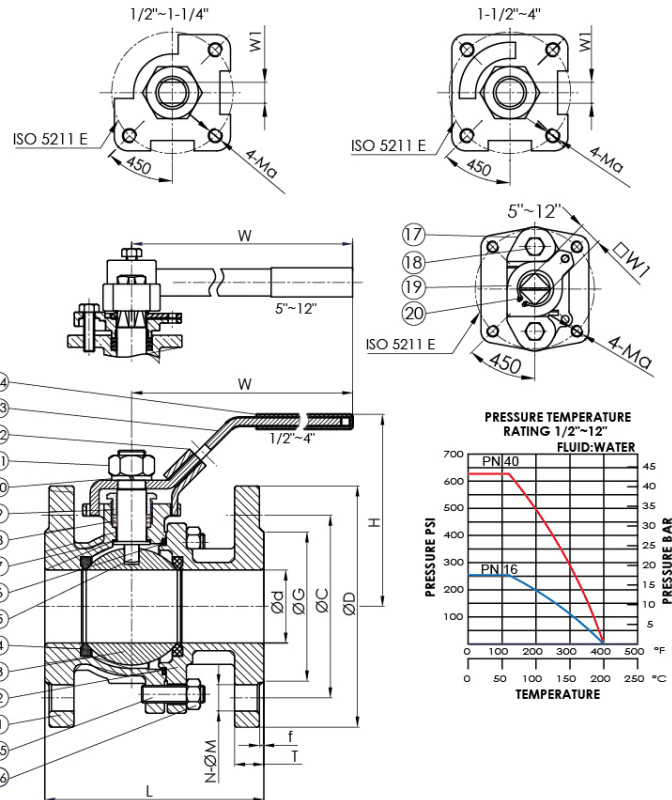
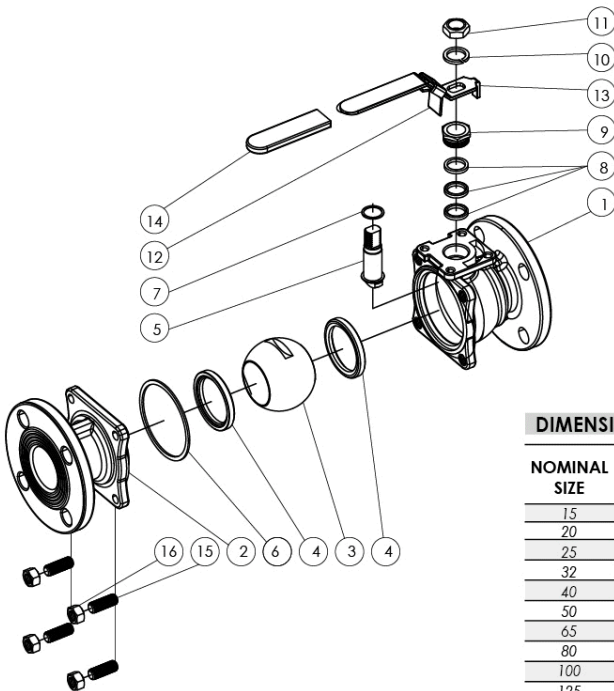
*ISO 5211 Mounting Pad

*Anti-static device, fire safe design

*Blow-out proof stem/Full port

OPTION: Fixed Handle

ITEM	PARTS	MATERIALS		
1	BODY	ASTM-A351-CF8M	ASTM-A351-CF8	ASTM-A216-WCB
2	CAP	ASTM-A351-CF8M	ASTM-A351-CF8	ASTM-A216-WCB
3	BALL	ASTM-A351-CF8M	ASTM-A351-CF8	ASTM-A351-CF8
4	BALL SEAT	PTFE	PTFE	PTFE
5	STEM	AISI 316	AISI 304	AISI 304
6	JOINT GASKET	PTFE	PTFE	PTFE
7	THRUST WASHER	PTFE	PTFE	PTFE
8	STEM PACKING	PTFE	PTFE	PTFE
9	GLAND NUT	AISI 304	AISI 304	AISI 304
10	SPRING WASHER	AISI 304	AISI 304	AISI 304
11	STEM NUT	AISI 304	AISI 304	AISI 304
12	LOCKING DEVICE	AISI 304	AISI 304	AISI 304
13	HANDLE	AISI 304	AISI 304	AISI 304
14	HANDLE SLEEVE	PLASTIC	PLASTIC	PLASTIC
15	BOLT	AISI 304	AISI 304	CARBON STEEL
16	NUT	AISI 304	AISI 304	CARBON STEEL
17	GLAND	5"~12" ASTM-A351-CF8	ASTM-A351-CF8	ASTM-A351-CF8
18	GLAND BOLT	5"~12" AISI 304	AISI 304	CARBON STEEL
19	STOPPER	5"~12" AISI 304	AISI 304	AISI 304
20	SNAP RING	5"~12" AISI 304	AISI 304	AISI 304



DIMENSIONS

UNIT:mm

NOMINAL SIZE	ød	f	L	H	W	W1	ISO 5211	E	Mα	DIN-PN16(1/2"-12")					DIN-PN40(1/2"-4")				
										øD	øC	øG	T	N-øM	øD	øC	øG	T	N-øM
15	15	2	115	76	153	8	F04	42	M5	95	65	45	16	4-ø14	95	65	45	16	4-ø14
20	20	2	120	78	153	8	F04	42	M5	105	75	58	18	4-ø14	105	75	58	18	4-ø14
25	25	2	125	92	188	9.5	F05	50	M6	115	85	68	18	4-ø14	115	85	68	18	4-ø14
32	32	2	130	95	188	9.5	F05	50	M6	140	100	78	16	4-ø18	140	100	78	18	4-ø18
40	40	3	140	126	245	12	F07	70	M8	150	110	88	16	4-ø18	150	110	88	18	4-ø18
50	50	3	150	132	245	12	F07	70	M8	165	125	102	18	4-ø18	165	125	102	20	4-ø18
65	65	3	170	166	288	16	F10	102	M10	185	145	122	18	4-ø18	185	145	122	22	8-ø18
80	80	3	180	176	288	16	F10	102	M10	200	160	138	20	8-ø18	200	160	138	24	8-ø18
100	100	3	190	190	388	16	F10	102	M10	220	180	158	20	8-ø18	235	190	162	24	8-ø22
125	125	3	325	224	750	24	F12	125	M12	250	210	188	22	8-ø18	-	-	-	-	-
150	150	3	350	247	750	24	F12	125	M12	285	240	212	22	8-ø22	-	-	-	-	-
200	200	3	400	305	1000	32	F12	125	M12	340	295	268	24	12-ø22	-	-	-	-	-
250	250	3	450	327	1000	32	F14	140	M16	405	355	320	26	12-ø26	-	-	-	-	-
300	300	4	500	355	1000	32	F14	140	M16	460	410	378	28	16-ø26	-	-	-	-	-