

# V-2MH TYPE

SIZE: 1/4" ~ 3"

**DIRECT MOUNTING PAD**



## STAINLESS STEEL

**AISI-316** (EN10213-4 1.4408) (ASTM-A351-CF8M)

**AISI-304** (EN10213-4 1.4308) (ASTM-A351-CF8)

## CARBON STEEL

**S-20C** (EN10213-2 1.0619) (ASTM-A216-WCB)

### FEATURES:

\*Pipe thread in accordance with ANSI B2.1, BS 21 1973, DIN 259/2999, ISO 228, BSPP, BSPT

\*Blow-out proof stem/Full port

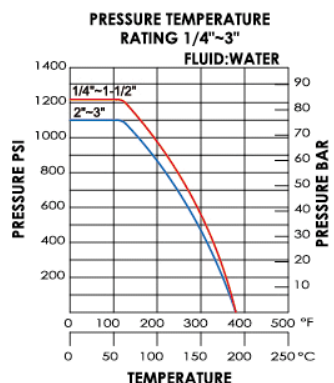
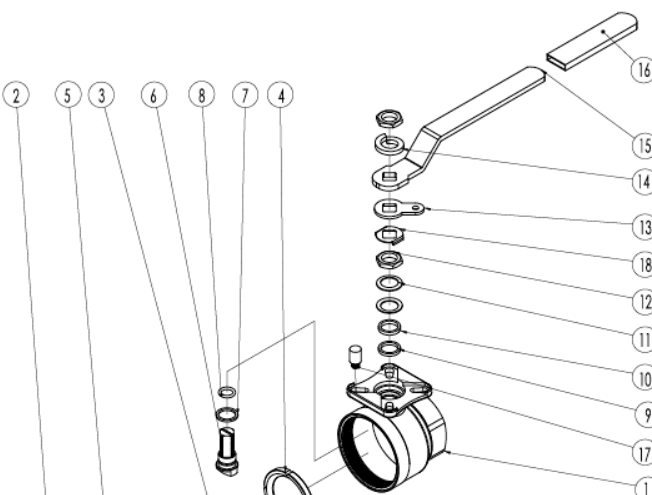
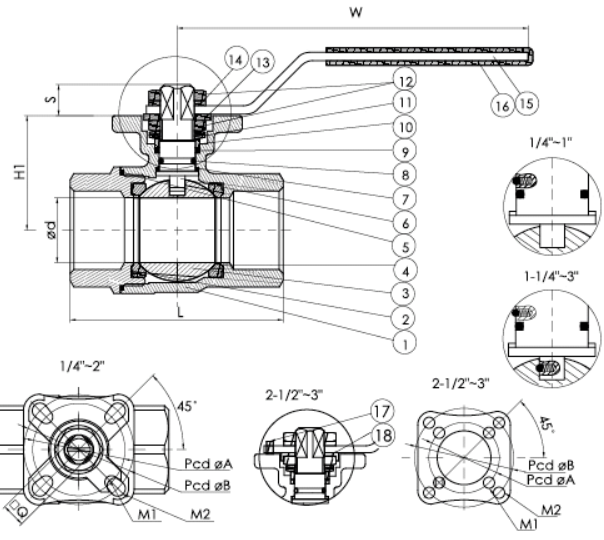
\*Investment casting body and cap

\*1000PSI (PN63)

\*ISO 5211 Direct Mounting Pad

**OPTION: DIN Standard, M3 Length Locking device**

ITEM	PARTS	Q.TY	MATERIALS	
1	BODY	1	ASTM-A351-CF8M	ASTM-A216-WCB
2	CAP	1	ASTM-A351-CF8M	ASTM-A216-WCB
3	BALL	1	ASTM-A351-CF8M	ASTM-A351-CF8
4	BALL SEAT	2	PTFE	PTFE
5	JOINT GASKET	1	PTFE	PTFE
6	STEM	1	AISI 316	AISI 316
7	THRUST WASHER	1	PTFE	PTFE
8	O-RING	1	VITON	VITON
9	STEM PACKING	1-2	PTFE	PTFE
10	STEM RING	1	AISI 304	AISI 304
11	BELLEVILLE WASHER	2	AISI 304	AISI 304
12	STEM NUT	2	AISI 304	AISI 304
13	STOPPER	1	AISI 304	AISI 304
14	SPRING WASHER	1	AISI 304	AISI 304
15	HANDLE	1	AISI 304 or AISI 430	AISI 304 or AISI 430
16	HANDLE SLEEVE	1	PLASTIC	
17	STOPPER PIN	1	AISI 304	AISI 304
18	LOCK WASHER	1	AISI 304	AISI 304



**DIMENSIONS** UNIT : mm

NOMINAL SIZE	ød	ISO 5211							TORQUE kgf-cm	CV FACTOR	KG				
		Pcd øA	Pcd øB	M1	M2	Q	L	H1				S	W		
1/4"	11.0	F03	36	-	-	R3.0	-	9.0	49.6	36.0	10.0	110.0	45	6.4	0.31
3/8"	12.7	F03	36	-	-	R3.0	-	9.0	49.6	36.0	10.0	110.0	45	7.9	0.29
1/2"	15.0	F04	42	-	-	R3.5	-	9.0	55.0	38.0	10.0	110.0	55	11.2	0.34
3/4"	20.0	F04	42	F05	50	R3.0	R3.5	11	75.5	41.7	12.0	136.0	90	21	0.62
1"	25.0	F04	42	F05	50	R3.0	R3.5	11	82.5	44.4	12.0	136.0	110	35	0.78
1-1/4"	32.0	F05	50	F07	70	R3.5	R4.5	14	90.8	54.0	16.5	158.0	155	57	1.35
1-1/2"	40.0	F05	50	F07	70	R3.5	R4.5	14	103	59.5	16.5	203.0	220	85	1.91
2"	50.0	F05	50	F07	70	R3.5	R4.5	14	120	67.0	16.5	203.0	330	148	2.8
2-1/2"	65.0	F07	70	F10	102	R4.5	R5.5	17	155	101.5	24.5	322.5	400	265	6.98
3"	80.0	F07	70	F10	102	R4.5	R5.5	17	182	112.5	24.5	322.5	660	415	10.3