

# V-3E TYPE

SIZE: 1/4"~4"



## STAINLESS STEEL

**AISI-316** (EN10213-4 1.4408) (ASTM-A351-CF8M)

**AISI-304** (EN10213-4 1.4308) (ASTM-A351-CF8)

## CARBON STEEL

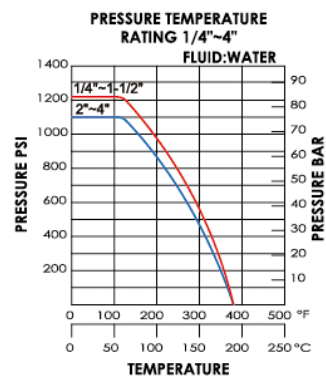
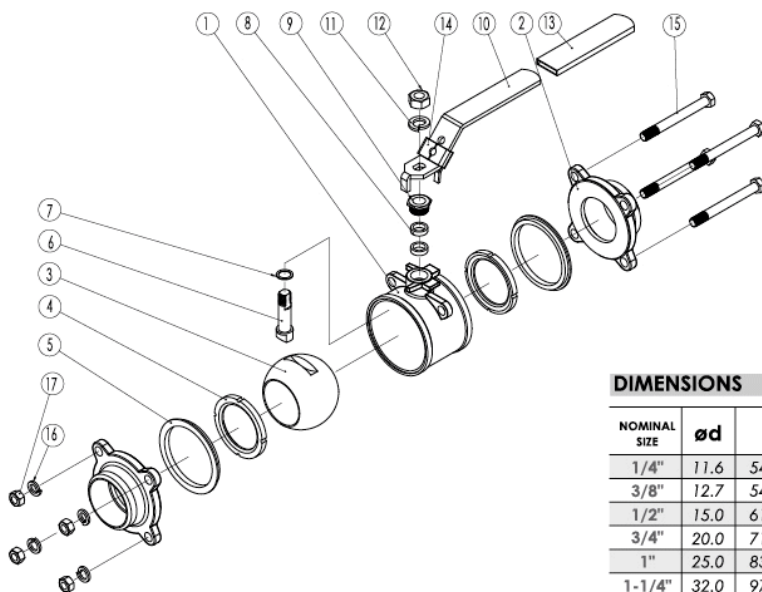
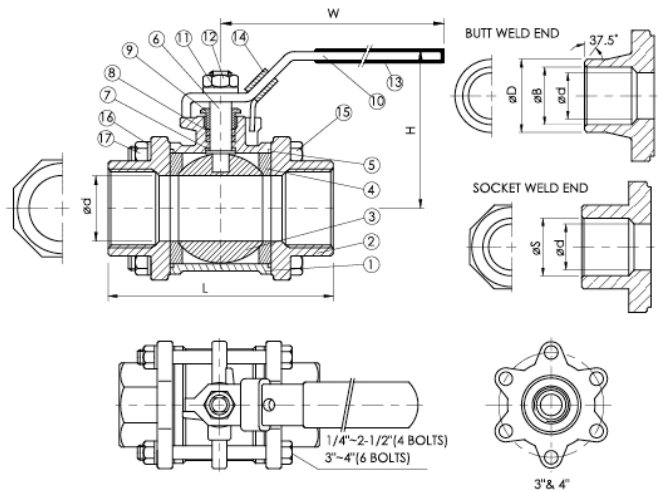
**S-20C** (EN10213-2 1.0619) (ASTM-A216-WCB)

### FEATURES:

- \*Pipe thread in accordance with ANSI B2.1, BS 21 1973, DIN 259/2999, ISO 228, BSPP, BSPT
- \*Blow-out proof stem/Full port
- \*Investment casting body and cap
- \*1000PSI (PN63)

OPTION: Locking device

ITEM	PARTS	Q.TY	MATERIALS	
1	BODY	1	ASTM-A351-CF8M	ASTM-A216-WCB
2	CAP	2	ASTM-A351-CF8M	ASTM-A216-WCB
3	BALL	1	ASTM-A351-CF8M	ASTM-A351-CF8
4	BALL SEAT	2	PTFE	PTFE
5	JOINT GASKET	2	PTFE	PTFE
6	STEM	1	AISI 316	AISI 316
7	THRUST WASHER	1	PTFE	PTFE
8	STEM PACKING	2	PTFE	PTFE
9	GLAND NUT	1	AISI 304	AISI 304
10	HANDLE	1	AISI 304 or AISI 430	AISI 304 or AISI 430
11	STEM WASHER	1	AISI 304	AISI 304
12	STEM NUT	1	AISI 304	AISI 304
13	HANDLE SLEEVE	1	PLASTIC	PLASTIC
14	LOCK DEVICE	1	AISI 304 or AISI 430	AISI 304 or AISI 430
15	BOLT	4(3".4"x6 PCS)	AISI 304	AISI 304
16	SPRING WASHER	4(3".4"x6 PCS)	AISI 304	AISI 304
17	HEX NUT	4(3".4"x6 PCS)	AISI 304	AISI 304



### DIMENSIONS

UNIT:mm

NOMINAL SIZE	ød	L	H	W	øB	øD	øS	Cv FACTOR	TORQUE kgf-cm	KG
1/4"	11.6	54.0	51.0	95	12.0	18.0	14.1	6.6	40	0.34
3/8"	12.7	54.0	51.0	95	14.0	18.0	17.6	7.9	40	0.34
1/2"	15.0	61.5	55.0	95	15.8	22.0	21.7	11.2	54	0.46
3/4"	20.0	71.0	58.5	110	21.0	28.0	27.2	21	74	0.62
1"	25.0	83.5	73.0	135	26.65	34.0	33.9	34	104	0.96
1-1/4"	32.0	97.0	78.5	135	35.05	44.0	42.6	57	135	1.47
1-1/2"	38.0	110.5	90.5	165	40.9	50.0	48.7	80	180	2.09
2"	50.0	129.0	99.0	165	52.5	61.5	61.1	148	250	3.12
2-1/2"	65.0	171.5	127	215	69.0	76.0	76.9	265	480	6.5
3"	80.0	200.0	136	215	82.0	90.0	89.8	415	750	10.42
4"	100	252.0	172	325	106	115	115.4	780	1100	20.2