

V-3WM TYPE

SIZE: 1/4"~2"



STAINLESS STEEL

AISI-316 (EN10213-4 1.4408) (ASTM-A351-CF8M)

AISI-304 (EN10213-4 1.4308) (ASTM-A351-CF8)

CARBON STEEL

S-20C (EN10213-2 1.0619) (ASTM-A216-WCB)

FEATURES:

*Pipe thread in accordance with ANSI B2.1, BS 21 1973,
DIN 259/2999, ISO 228, BSPP, BSPT

*Blow-out proof stem / Full port

*Investment casting body and cap

*2000PSI (PN130) / 3000PSI (PN200)

*ISO 5211 Mounting Pad

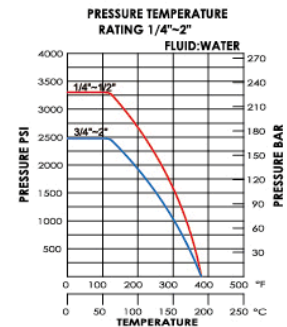
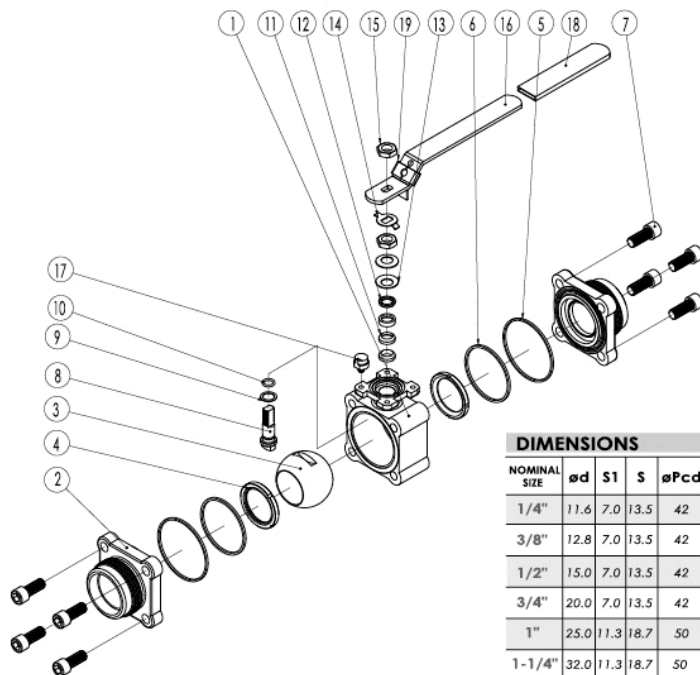
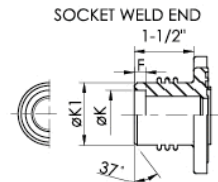
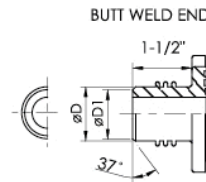
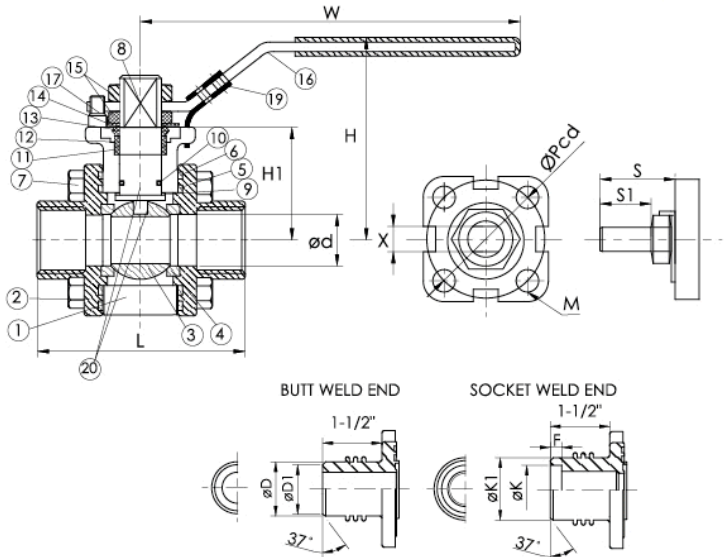
*Heat diffusion

OPTION: Locking device

Reduce port

API 607 fire safe Approved

ITEM	PARTS	QTY	MATERIALS		
1	BODY	1	ASTM-A351-CF8M	ASTM-A351-WCB	ALLOY-20
2	CAP	2	ASTM-A351-CF8M	ASTM-A351-WCB	ALLOY-20
3	BALL	1	ASTM-A351-CF8M	ASTM-A351-CF8	ALLOY-20
4	BALL SEAT	2	TFM	TFM	TFM
5	JOINT GASKET	2	TFM	TFM	TFM
6	JOINT GASKET	2	GRAPHITE	GRAPHITE	GRAPHITE
7	BOLT	8	AISI 316	AISI 316	AISI 316
8	STEM	1	ASTM 17-4PH	AISI 316	ALLOY-20
9	THRUST WASHER	1	GRAPHITE	GRAPHITE	GRAPHITE
10	O-RING	1	VITON	VITON	VITON
11	STEM PACKING	2	TFM	TFM	TFM
12	HIGH WASHER	1	AISI 304	AISI 304	AISI 304
13	BELLEVILLE WASHER	2	AISI 304	AISI 304	AISI 304
14	LOCK WASHER	1	AISI 304	AISI 304	AISI 304
15	STEM NUT	2	AISI 304	AISI 304	AISI 304
16	HANDLE	1	AISI 304 or AISI 430	AISI 304 or AISI 430	AISI 304 or AISI 430
17	STOPPER	1	AISI 304	AISI 304	AISI 304
18	HANDLE SLEEVE	1	PLASTIC	PLASTIC	PLASTIC
19	LOCKING DEVICE	1	AISI 304 or AISI 430	AISI 304 or AISI 430	AISI 304 or AISI 430
20	ANTI-STATIC	2	AISI 316	AISI 316	AISI 316



DIMENSIONS															UNIT:mm					
NOMINAL SIZE	øD	S1	S	øPcd	x	M	øD	øD1	øK	øK1	F	W	H	H1	BT	BW	SW	Cv FACTOR	TORQUE kgf-cm	KG
1/4"	11.6	7.0	13.5	42	6.35	#10-24UNC	18.1	13.0	14.1	26.0	10	160	68.4	39.1	69	122.2	122.2	4.5	40	0.99
3/8"	12.8	7.0	13.5	42	6.35	#10-24UNC	18.1	14.7	17.5	26.0	10	160	68.4	39.1	69	122.2	122.2	6.6	40	1.01
1/2"	15.0	7.0	13.5	42	6.35	#10-24UNC	21.7	17.0	21.7	31.5	10	160	68.4	39.1	74	124.2	124.2	7.9	40	1.10
3/4"	20.0	7.0	13.5	42	6.35	#10-24UNC	27.2	22.0	27.1	38.5	13	160	72.4	43.1	86	131.2	131.2	11.2	60	1.50
1"	25.0	11.3	18.7	50	8.0	1/4"-20UNC	34.0	28.0	33.8	43.0	13	175	87.4	52.2	94	133.2	133.2	21.0	78	2.05
1-1/4"	32.0	11.3	18.7	50	8.0	1/4"-20UNC	43.0	35.0	42.5	55.0	13	175	90.7	55.5	104	145.2	145.2	34.0	110	3.18
1-1/2"	40.0	13.4	22.4	70	9.5	5/16"-18UNC	48.6	43.0	48.6	62.0	13	220	107.7	67.2	117	157.2	157.2	57.0	155	4.80
2"	50.0	13.4	22.4	70	9.5	5/16"-18UNC	60.5	54.0	61.1	75.0	16	220	114.0	73.7	132	168.2	168.2	80.0	220	7.00