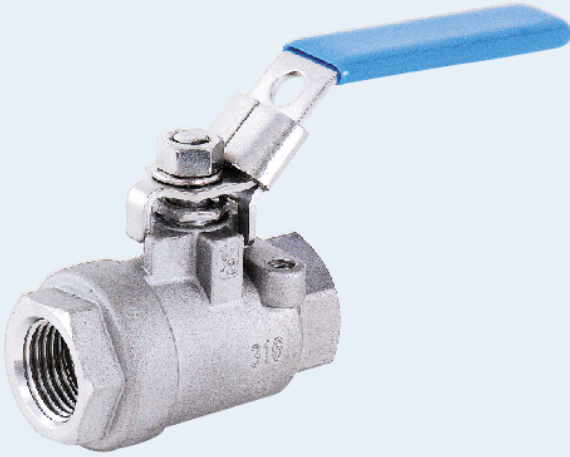


V-2W TYPE

SIZE: 1/4"~3"

3000 WOG



STAINLESS STEEL

AISI-316 (EN10213-4 1.4408) (ASTM-A351-CF8M)

AISI-304 (EN10213-4 1.4308) (ASTM-A351-CF8)

CARBON STEEL

S-20C (EN10213-2 1.0619) (ASTM-A216-WCB)

FEATURES:

*Pipe thread in accordance with ANSI B2.1, BS 21 1973, DIN 259/2999, ISO 228, BSPP, BSPT

*Blow-out proof stem/Full port

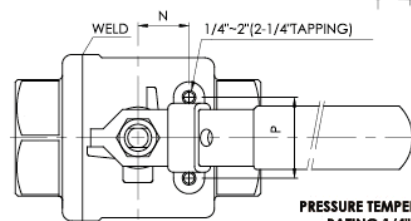
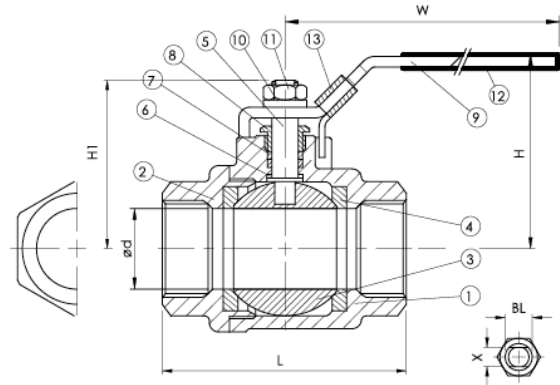
*Investment casting body and cap

***3000PSI (PN200)**

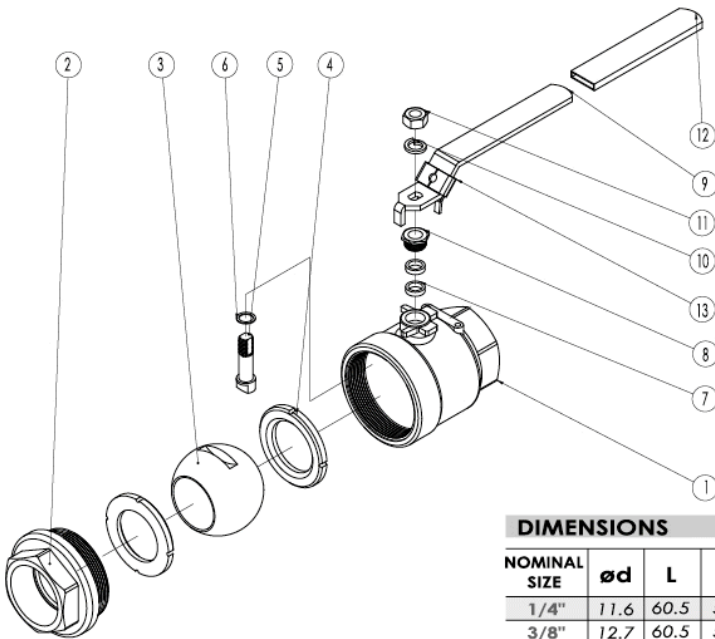
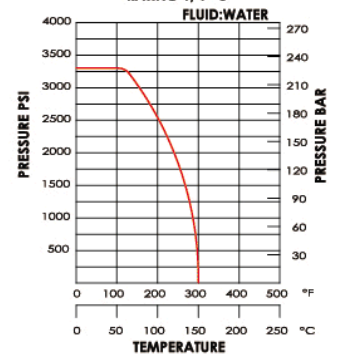
OPTION: Locking device

Drilling and Tapped Mounting Pad

ITEM	PARTS	Q'TY	MATERIALS	
1	BODY	1	ASTM-A351-CF8M	ASTM-A216-WCB
2	CAP	1	ASTM-A351-CF8M	ASTM-A216-WCB
3	BALL	1	ASTM-A351-CF8M	ASTM-A351-CF8
4	BALL SEAT	2	PTFE	PTFE
5	STEM	1	AISI 316	AISI 316
6	THRUST WASHER	1	PTFE	PTFE
7	STEM PACKING	2	PTFE	PTFE
8	GLAND NUT	1	AISI 304	AISI 304
9	HANDLE	1	AISI 304 or AISI 430	AISI 304 or AISI 430
10	STEM WASHER	1	AISI 304	AISI 304
11	STEM NUT	1	AISI 304	AISI 304
12	HANDLE SLEEVE	1	PLASTIC	PLASTIC
13	LOCK DEVICE	1	AISI 304 or AISI 430	AISI 304 or AISI 430



PRESSURE TEMPERATURE RATING 1/4"-3"



DIMENSIONS

UNIT:mm

NOMINAL SIZE	ød	L	H	H1	W	X	N	P	BL	Cv FACTOR	TORQUE kgf-cm	KG
1/4"	11.6	60.5	53	42.4	95	5	12.5	28.5	5/16"	6.6	46	0.36
3/8"	12.7	60.5	53	42.4	95	5	12.5	28.5	5/16"	7.9	46	0.35
1/2"	15.0	62.5	53	42.5	95	5	12.5	28.5	5/16"	11.2	54	0.37
3/4"	20.0	77.0	60	52.3	110	6.5	21.0	34.8	3/8"	21	78	0.67
1"	25.4	90.0	74	63.1	135	8	22.5	34.8	7/16"	35	106	1.17
1-1/4"	32.0	103	82	67.7	158	8	23.5	38.1	7/16"	57	150	1.80
1-1/2"	38.0	120	92	78.9	165	9	23.5	38.1	1/2"	80	200	2.60
2"	50.8	140	101	87.7	165	9	34.0	38.1	1/2"	150	280	4.32
3"	80.0	184	152	128.5	218	12	35.0	56.0	3/4"	415	750	9.73